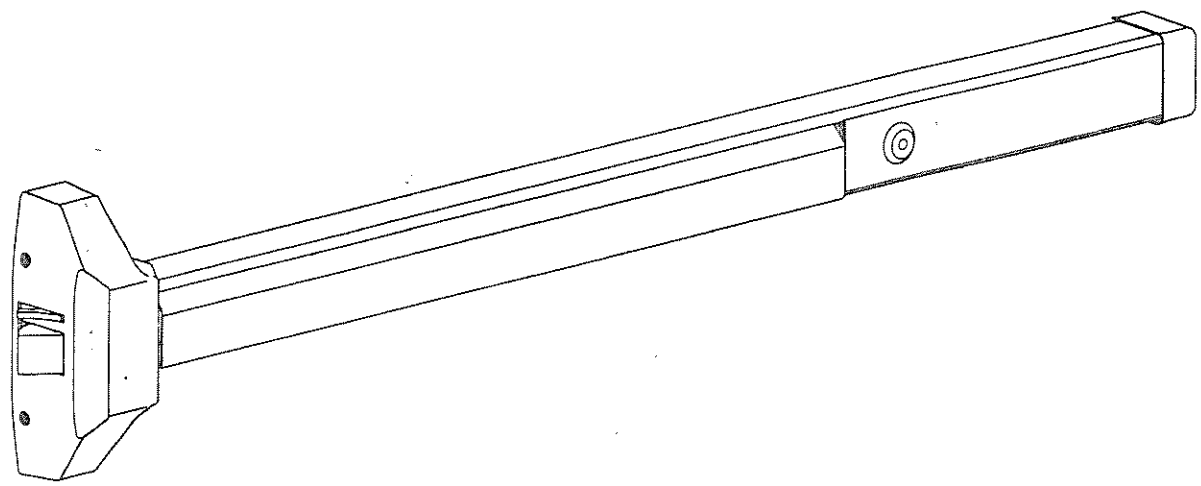


Reversible Rim Type PANIC / FIRE EXIT DEVICES

INSTALLATION INSTRUCTIONS



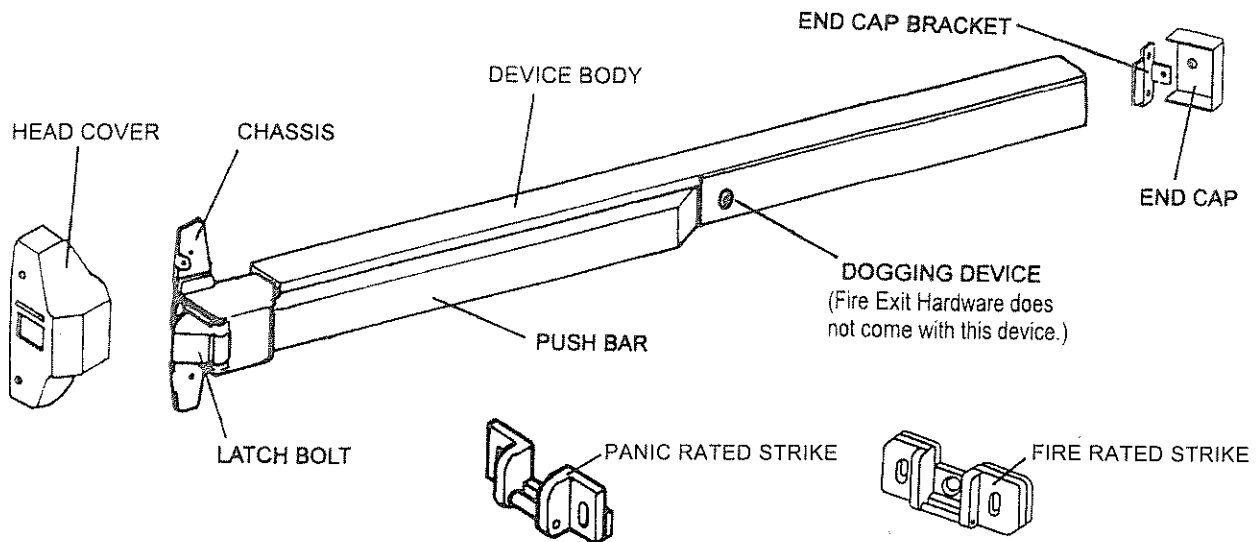
These instructions are presented in step by step sequence and include a template to tape to your door and frame as an aid to preparing for device mounting.

Please read it thoroughly before installation.

Note : Template dimensions are shown in inches. See attached Metric Conversion Table if necessary.

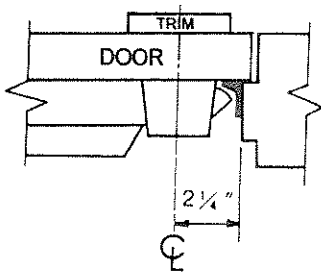
<p>TOOLS REQUIRED</p>	<p>METAL</p> <p>#7 1/4"-20</p>	<p>WOOD</p> <p>1/8"</p>	<p>Wood and Metal Screws</p> <p>For wood, drill 1/8" hole</p> <p>Machine Screws</p> <p>#7 Drill, 1/4"-20 Tap</p>
------------------------------	---	--------------------------------	--

A. DESIGNATION OF PARTS

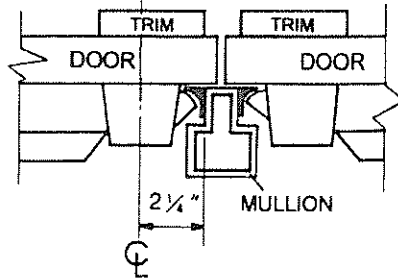


B. TYPE OF INSTALLATION

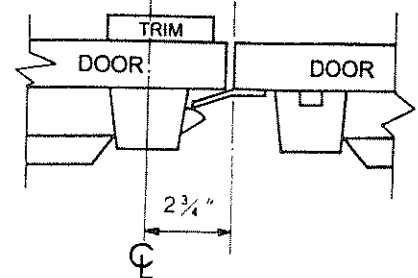
A. SINGLE DOOR



B. DOUBLE DOOR WITH MULLION
(NOT AVAILABLE ON FIRE RATED DEVICE)



C. DOUBLE DOOR WITHOUT MULLION



TYPE A & B :

To use the strike as shown in the above figures.



TYPE C :

To use a Double Door Strike as shown in figure at left.

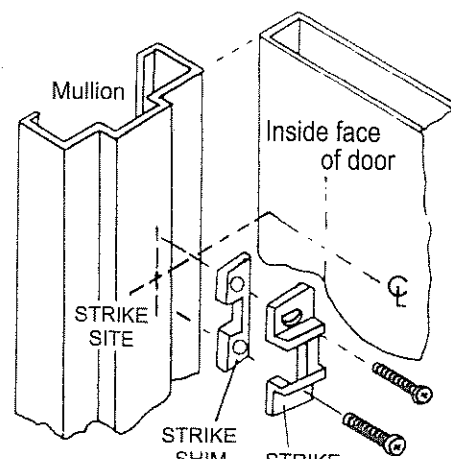
C. MARK POSITION FOR INSTALLING

1. Mark center line of the device on center of the door by drawing a line across the door and stop 40" above finished floor.
2. Fold template and align center lines on template with center lines on door then mark position of mounting holes for Latch Assembly.
3. Move template up against stop then mark mounting holes for Strike.
4. Drill holes as marked on door and mullion.

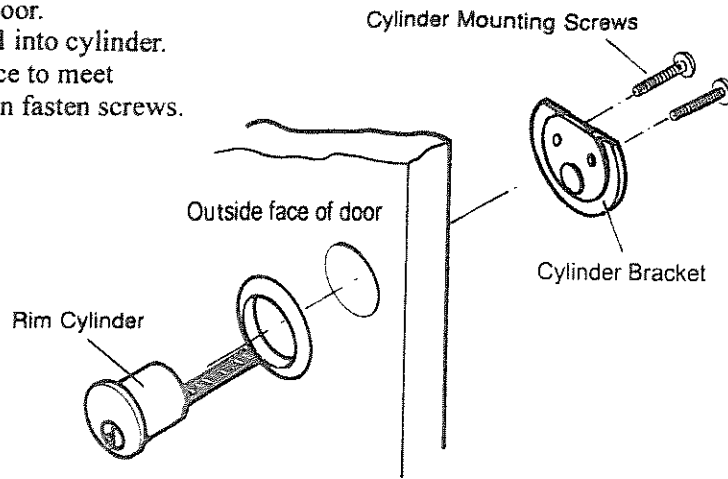
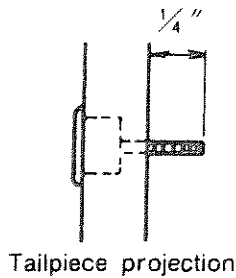
Note : For Panic Rated Exit Device

1. 1/8" strike shim for prepared door with 1/2" stop, which is mounted beneath strike.
2. If the stop is 5/8" high, strike shim is not necessary.

For Fire Rated Exit Device – Without strike shim.



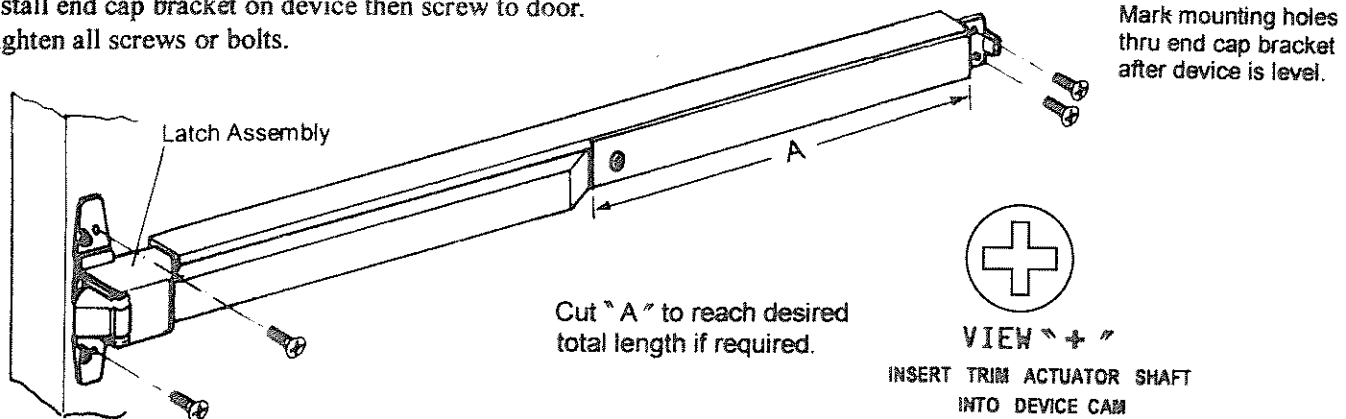
1. Drill one 1-1/4" diameter hole for the cylinder.
2. Insert cylinder and ring from outside of the door.
3. Place bracket plate on inside face of the door.
4. Put two cylinder screws thru the plate and into cylinder.
5. Cut cylinder mounting screws and tailpiece to meet the desired door thickness if required, then fasten screws.



If a different type of trims used with this device, please refer to its instructions.

E. INSTALL DEVICE BODY

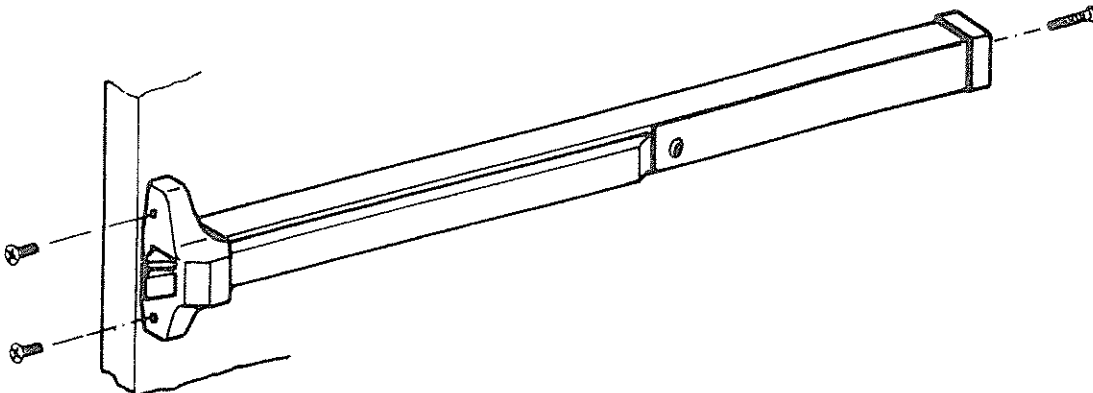
1. Remove head cover from Latch Assembly and end cap from end cap bracket.
2. Mount device horizontally to center of the door by supplied mounting screws, and bolt device chassis to trim or sexbolts (if required).
3. Make sure cylinder or trim actuator shaft (tailpiece) can insert into device cam. (Ref. View "+" for cam description).
4. Install end cap bracket on device then screw to door.
5. Tighten all screws or bolts.



F. INSTALL COVERS AND STRIKE

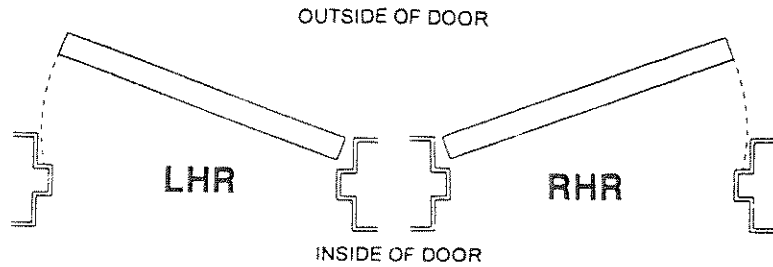
1. Install head cover on chassis.
2. Install end cap.
3. Apply strike to door stop.
4. Make sure to secure latchbolt engagement.

Adju



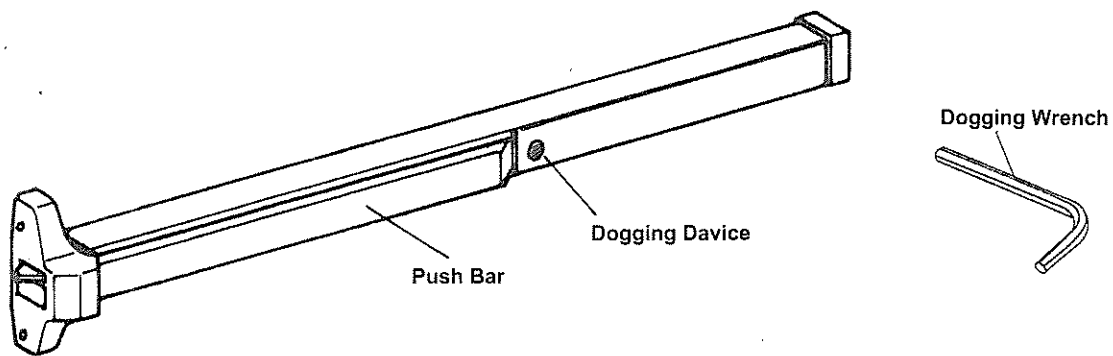
Door Handing

Use the diagram to determine the hand of door.



NOTE :

For extending the life of this device, dogging device during high traffic period of the day(Panic exit device only).

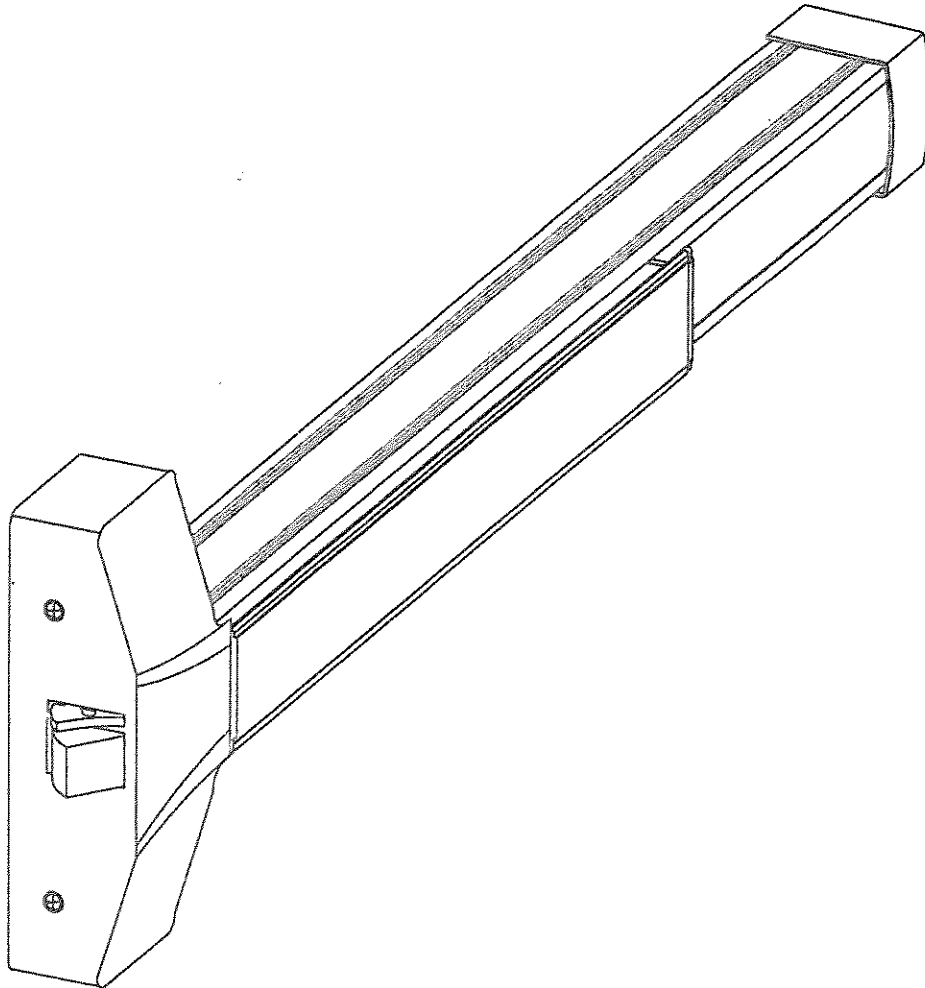


Dogging : Depress push bar, insert dogging wrench and turn clockwise 90° - the push bar will remain pressed and the latch will keep retracted.

Release Dogging : Depress push bar, insert dogging wrench and turn counter-clockwise 90° - the push bar will return to up position and the latch will project to lock the door.

REVERSIBLE PANIC / FIRE EXIT RIM DEVICES

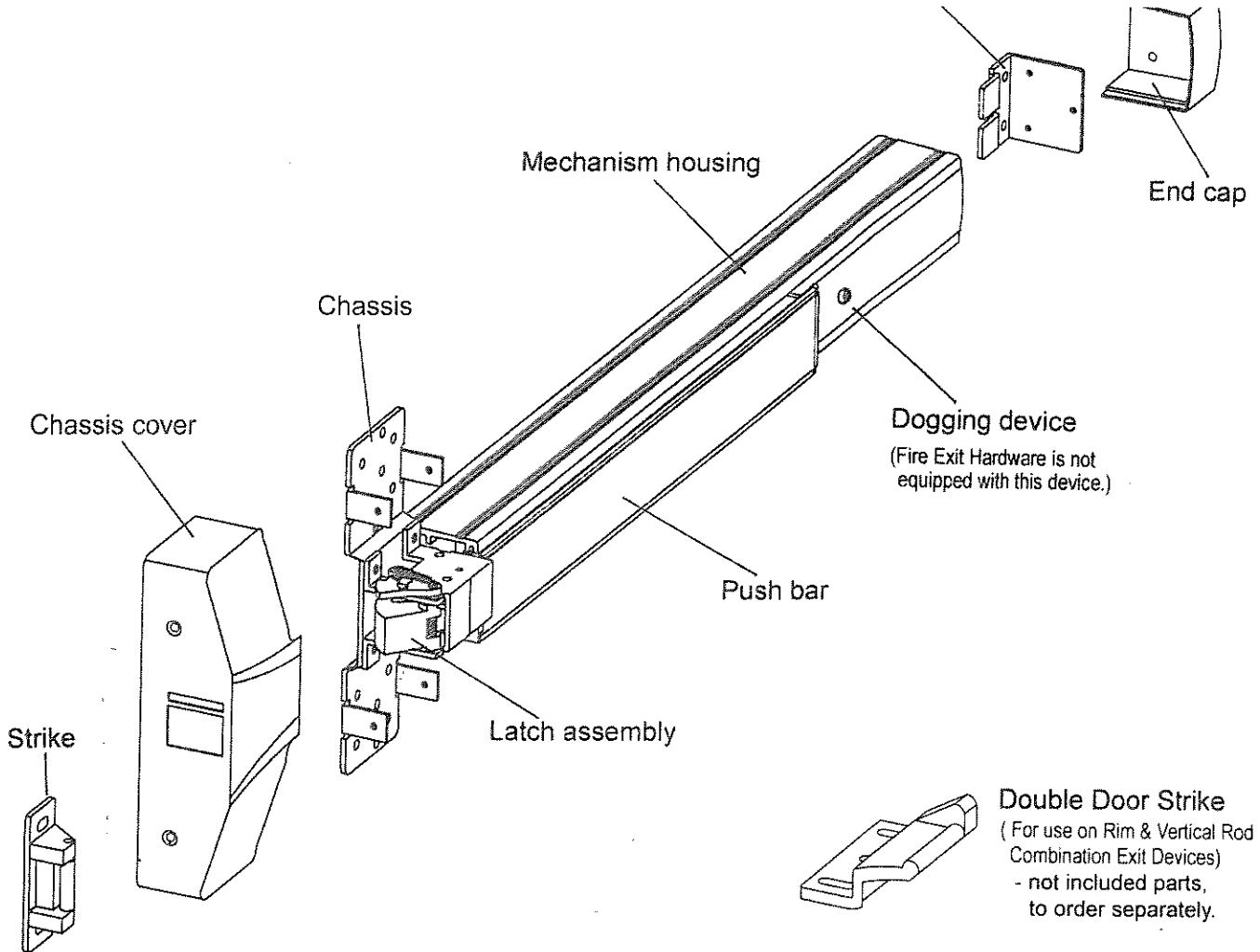
INSTALLATION INSTRUCTIONS



These instructions are presented in step by step sequence and attach a template to tape to your door and frame as an aid to preparing for device mounting.

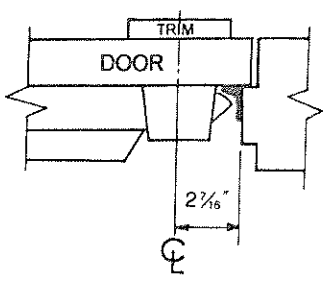
Please read it throughout before installation.

Note : The dimensions of Template are shown in inches. See attached page for the Metric Conversion Table if you used to read the millimeters.

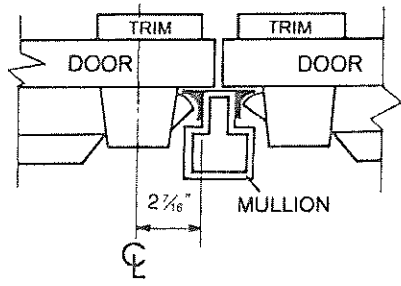


B. TYPE OF INSTALLATION

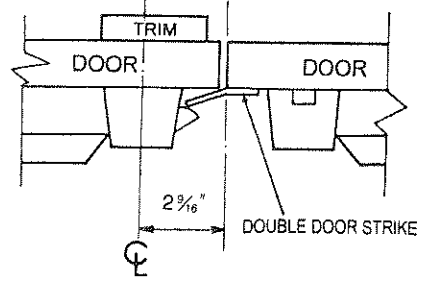
A. SINGLE DOOR



B. DOUBLE DOOR WITH MULLION

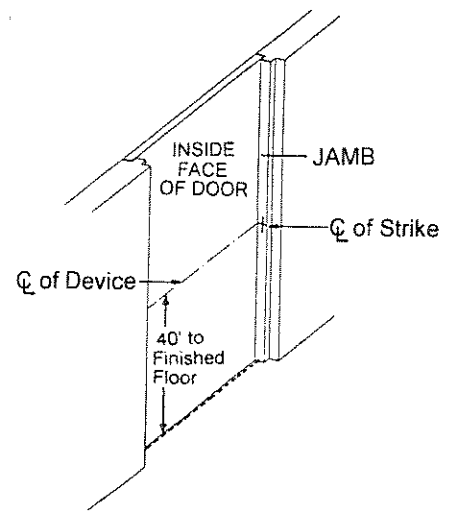


C. DOUBLE DOOR WITHOUT MULLION

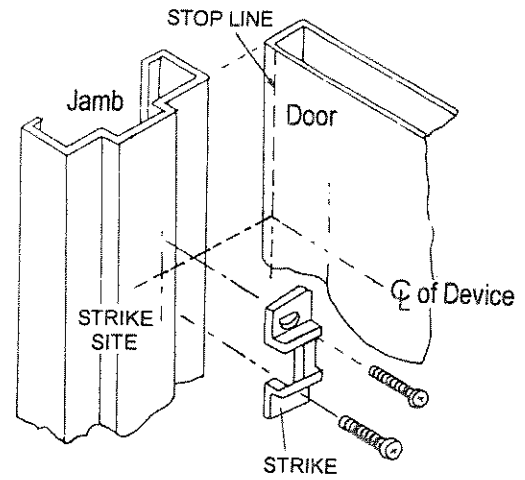


C. MARK POSITION FOR INSTALLING

1. Mark the center line of device by drawing a line across the door and stop 40" above finished floor as shown at right.
2. Fold or tape template and align center lines on template with center lines on door then mark position of mounting holes for Latch Assembly.
3. Move template up against stop then mark two mounting holes for Strike.
4. Drill holes as marked on door and jamb or mullion.

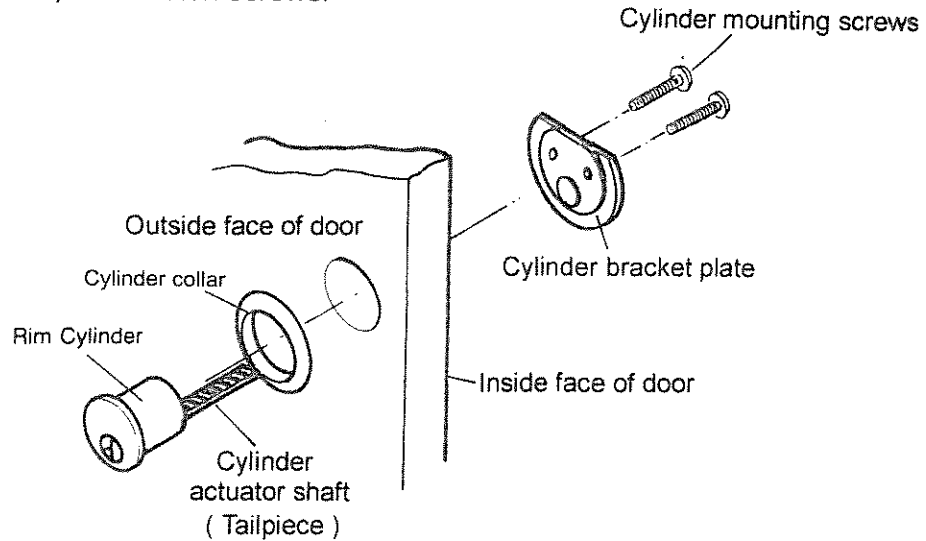
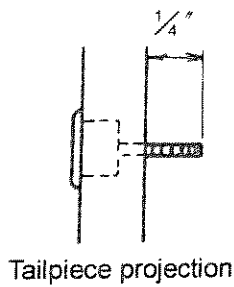


1. Place strike to the drilled position and tighten it to jamb or mullion by supplied screws.
2. In case installing with a vertical rod device for a pair of doors, an additional Double Door Strike must be used to replace regular strike provided.



E. IF CYLINDER INCLUDED WITH THE DEVICE

1. Drill one 1-3/16" diameter thru hole for the cylinder / bracket plate.
2. Insert cylinder and cylinder collar from outside of the door.
3. Place bracket plate on inside face of the door.
4. Put two cylinder mounting screws thru the bracket plate and into cylinder.
5. Cut the cylinder mounting screws and tailpiece to the required door thickness at break-off points, then fasten screws.

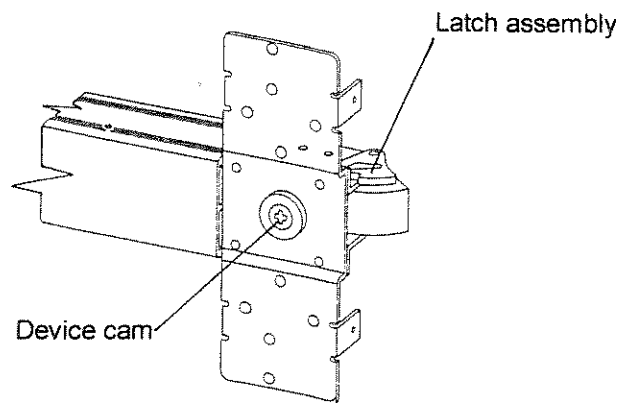


F. INSTALL OUTSIDE TRIM

Mark and drill holes for the outside trim. (See Trim Instructions).

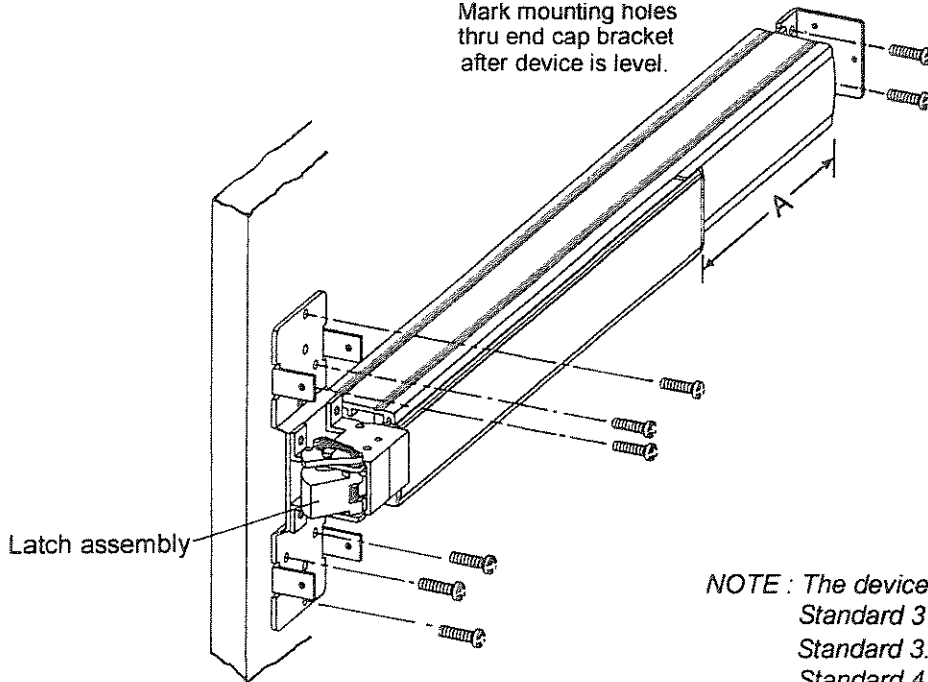
G. INSTALL DEVICE BODY

1. Remove chassis cover from latch assembly and end cap from end cap bracket.
2. Mount device horizontally to the drilled position by supplied mounted screws, and bolt device chassis to trim or sex bolts (if required).
3. Make sure cylinder or trim actuator shaft (tailpiece) can insert into device cam concentrically. (See device cam at right).
4. Install end cap bracket on device then screw to door.
5. Tighten all screws or bolts.



INSERT TRIM ACTUATOR SHAFT INTO DEVICE CAM

Mark mounting holes thru end cap bracket after device is level.

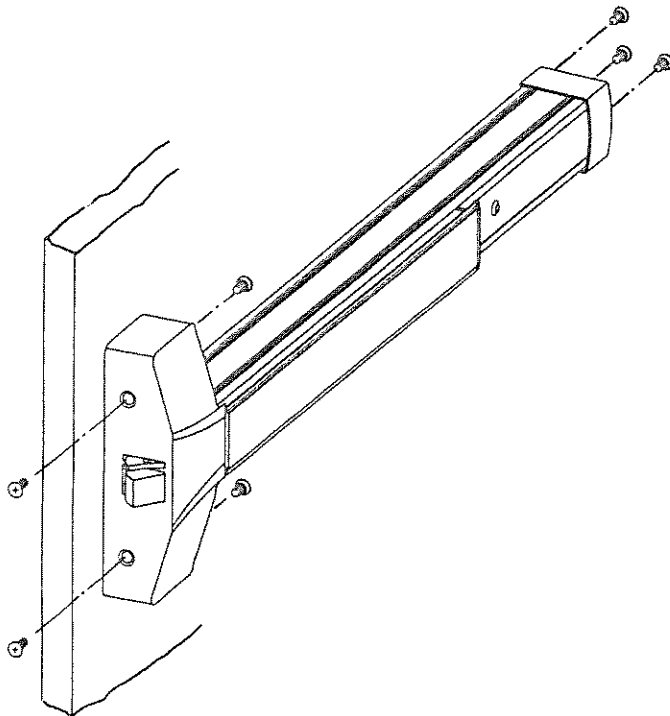


NOTE : The device bar has 3 different lengths :
 Standard 3' door device = Approx. 33"
 Standard 3.5' door device = Approx. 40"
 Standard 4' door device = Approx. 44"

The bar lengths of devices are precut for 36", 42", 48" wide door, no additional cutting is necessary. If narrower door installation is needed, cut device "A" portion to door width minus 4" to fit properly.

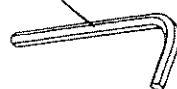
H. INSTALL COVERS

1. Test push bar operation before installing covers :
 - a. No Trim : Latch bolt is retracted by push bar inside.
 - b. With Trim : Latch bolt is retracted by push bar inside, key or lever/knob outside.
 - c. Dogging: See dogging description and chart below.
2. Make sure and secure latch bolt engagement. Adjust strike if required.
3. Install chassis cover on chassis.
4. Install end cap.

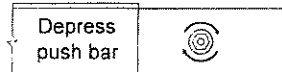


Note : For increasing the life of this device, dogging device during high traffic period of the day (Panic device only).

Dogging Wrench
(Allen Key)



Dogging:
 Depress push bar,
 insert dogging wrench
 and turn clockwise 35°



The push bar will remain pressed and the latch will keep retracted.

Release dogging:
 Depress push bar,
 insert dogging wrench
 and turn counter-clockwise 35°



The push bar will return to up position and the latch will project to lock the door.