

Prepare floor to suit Cement Box Dimensions - 341 x 78 x 60mm

NOTE

1. Do not scale drawing.
2. Dimensions are in mm.
3. Top of cement case must be flush with finish floor line.
4. Cement case must be level and parallel to frame.
5. Install cement case with closer centered in case.

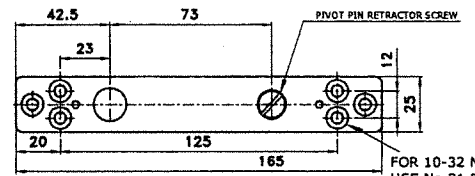
CEMENT CASE

TOP VIEW

SECTION

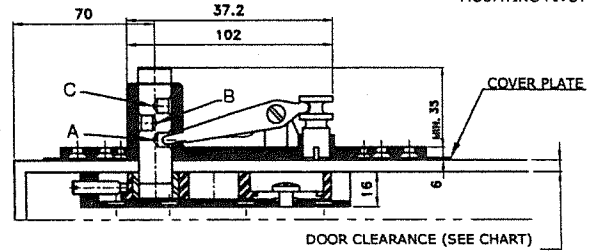
NOTE

1. Do not scale drawing.
2. Dimensions are in mm.
3. All necessary reinforcing for pivots by others.
4. Pivot pin diameter $\phi 15$.
5. Pivot pin projection is adjustable. See chart for door clearances.



FOR 10-32 MACHINE SCREWS USE No.21 DRILL
FOR WOOD SCREWS USE No29 DRILL
FOUR(4) HOLES FOR MOUNTING PIVOT

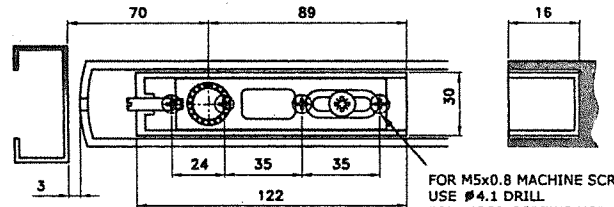
Cut slot to access adjustment screw



DOOR CLEARANCE

POSITION	STANDARD PIN	EXTENDED PIN
A	3	19
B	10	25
C	19	33

See chart in Step 5



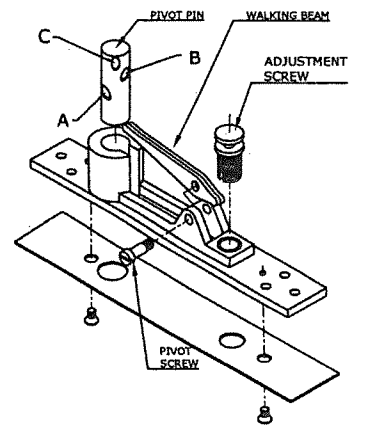
FOR M5x0.8 MACHINE SCREWS USE #4.1 DRILL
FOR WOOD SCREWS USE #4 DRILL
FOUR(4) HOLES FOR MOUNTING PIVOT

Determine clearance between door and frame and adjust projection of pivot pin, if required. Pivot pin projection allows 3/8" clearance as shipped from the factory.

To change projection of pivot pin or to install extended pivot pin, the following is recommended:
Remove walking beam pivot screw. Push pivot pin out until walking beam is disengaged. Install extended pivot pin and engage walking beam into appropriate hole in pivot pin to obtain required projection. Be sure opposite end of walking beam is engaged in adjustment screw. Reinstall walking beam pivot screw.

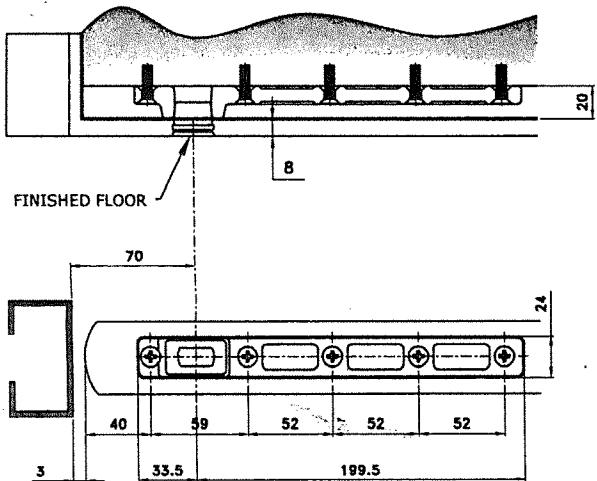
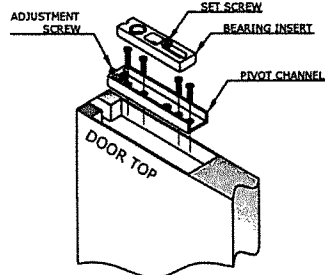
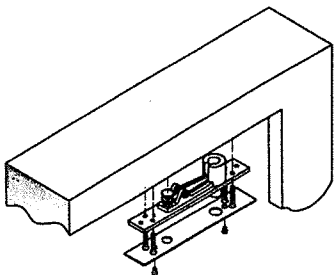
DOOR CLEARANCE

POSITION	STANDARD PIN	EXTENDED PIN
A	3	19
B	10	25
C	19	33

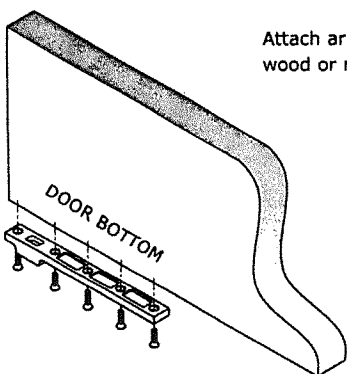


Retract pivot pin by turning adjustment screw counterclockwise and install pivot into header. Install cover plate.

Fasten pivot channel in top of door. place bearing insert into pivot channel. turn adjustment screw approximately halfway into pivot channel. Adjust pivot point accordingly. Lock bearing insert in place with set screw.

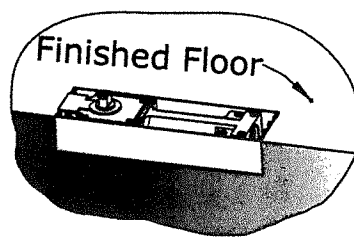


Attach arm to bottom of door with five wood or machine screws provided.

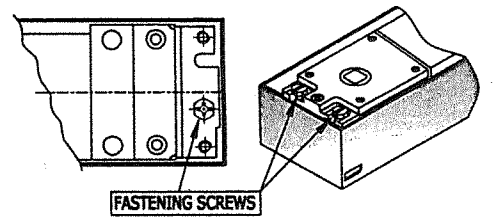


Install closer and cement case in floor

Top of cement case must be flush with finished floor. cement case must be level and installed parallel to frame. Spindle center line must be accurately located. Grout cement case in place.



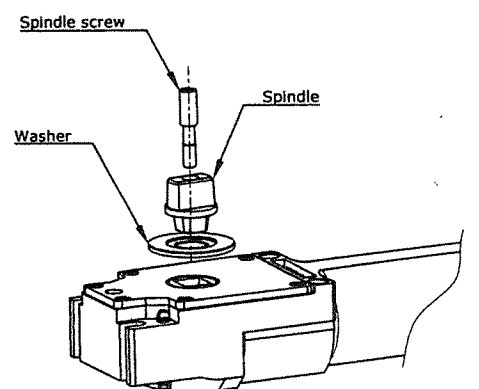
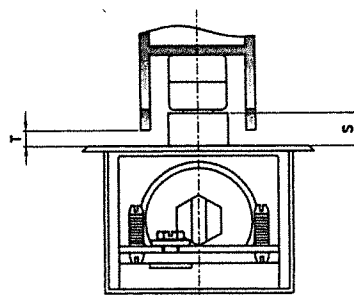
Center closer in cement case.



TIGHTEN FASTENING SCREW

Slide washer over tapered square end of spindle until fully seated in groove. Fasten spindle with spindle screw provided.

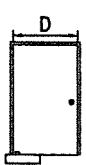
SPI. NO.	DOOR CL.(DIM. S)	DIM. T
1	8	3.2
2	12.7	7.9
3	15.9	11
4	19	12.7
5	20.9	15.9



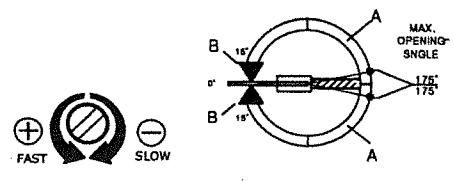
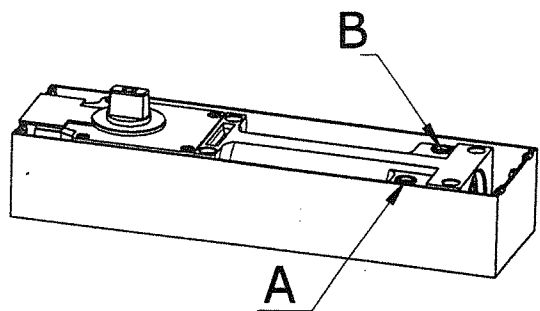
5 ADJUST CLOSING SPEED

VALVE "A" - controls closing speed from MAX. OPENING - 175~15°
 VALVE "B" - controls closing speed from approx. 15°~0°

MECHANICAL BACKCHECK
 HOLD OPEN(OPTION POSSIBLE)
 - FIXED 90°
 - FIXED 105°

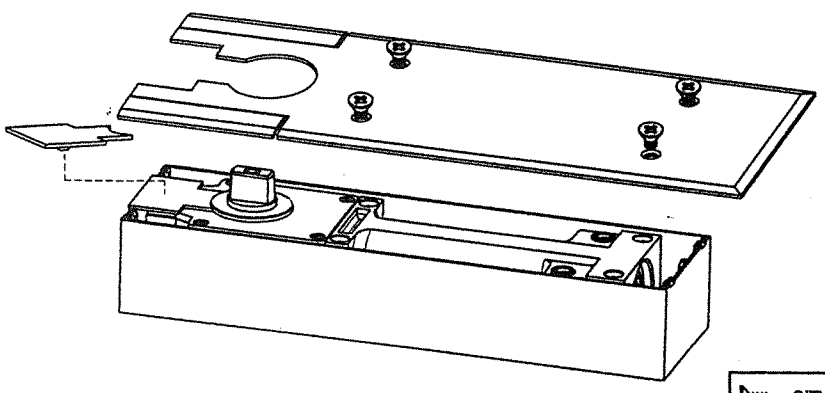


	HBF-2000	
Spring strength(ANSI)	EN2	EN3
Spring strength adjustment	-	-
Standard and external doors (D)	< 850	≤ 950
Max. leaf weight(Kg)	120 Kg	



6 INSTALL COVER PLATE OR THRESHOLD

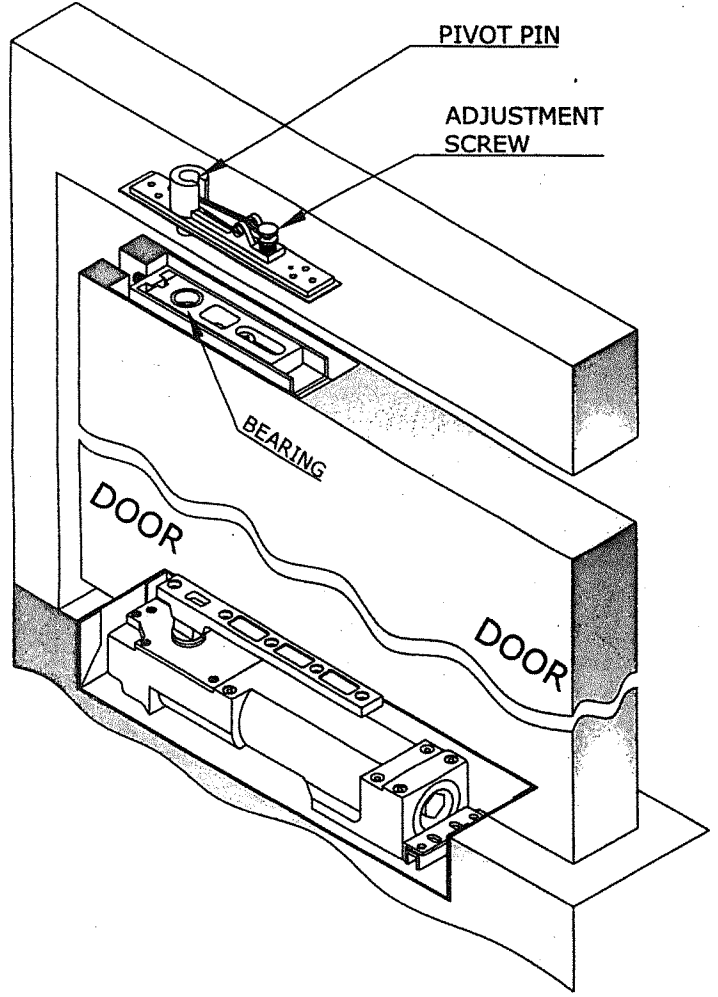
Trim cover plate as required to match profile of pivot jamb. Install cover plate with four screws provided. Press tap in place behind spindle. If threshold is installed, do not anchor threshold to closer body since closer is adjustable within cement case.



QTY 4 pcs

8 INSTALL DOOR

With door parallel to frame, place bottom arm onto spindle. Rotate door approximately 90°
 Align bearing with pivot pin. Engage pivot pin by turning adjustment screw clockwise. Check to make sure pivot pin is fully engaged in door portion of pivot.



7 INSTALL TOTAL

