



STAINLESS STEEL OFFSET PIVOT SETS

OFFSET PIVOT SETS

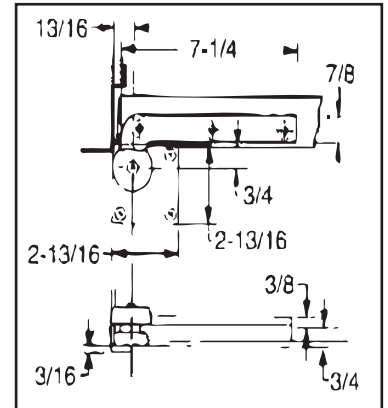


Pivot sets include top and bottom pivots. Offset pivot sets are handed and require an intermediate pivot to accommodate the door weights listed for each set. Door edges must be beveled 1/8" in 2". All sets are available in standard architectural finishes.

0117



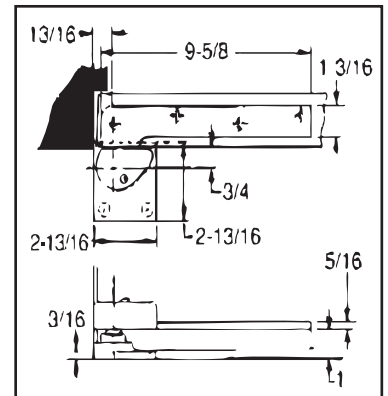
- 3/4" offset
- For interior doors up to 4'0" x 8'0"
- Weight to 300 lbs.
- 0180 top pivot included
- 019 intermediate pivot required
- Bottom pivot mortised into floor
- US32D models listed for use on 3 hour fire doors
- Extended spindles available
- BHMA/ANSI C07162/3530A (modified)



0147



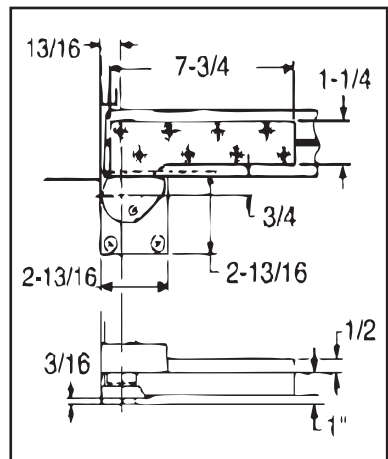
- 3/4" offset
- For interior doors up to 4'0" x 8'6"
- For exterior doors up to 3'6" x 7'0"
- Weight to 600 lbs.
- 0180 top pivot included
- 019 intermediate pivot required
- Bottom pivot mounted to floor
- US32D models listed for use on 3 hour fire doors
- BHMA/ANSI C07162/3530A (modified) Extended spindles available



L0147



- 3/4" offset
- 1-3/4" lead lined doors
- For interior doors up to 4'0" x 8'0"
- Weight to 1000 lbs.
- L0180 top pivot included
- L019 intermediate pivot required
- Bottom pivot mounted to floor
- US32D models listed for use on 3 hour fire doors
- BHMA/ANSI C07162/3530A (modified)



SEE SS PIVOT/PIVOT SETS CROSSOVER REFERENCE CHART ON PAGE 148

International Door Closers, Inc.

COPYRIGHT 2018 INTERNATIONAL DOOR CLOSERS, INC

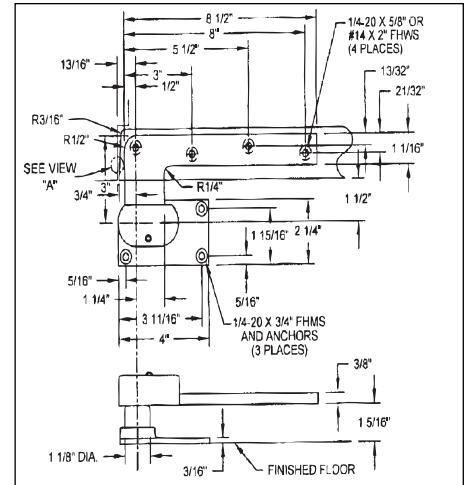
West: 800-544-4422 • East: 800-225-6737

www.intldoorclosers.com

0147 x 1 1/2



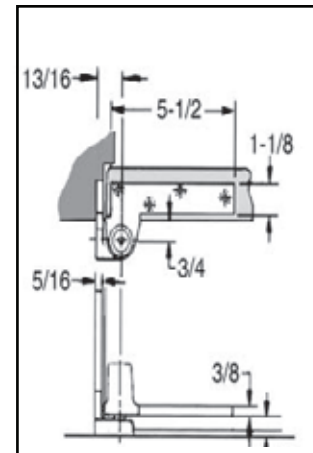
- 1 1/2" offset
- For interior doors up to 3'6"
- For exterior doors up to 3'0"
- Weight to 350 lbs.
- 0180 x 1 1/2" top pivot included
- Bottom pivot mounted to the floor
- Doors edges must be beveled 1/8" in 2"
- BHMA/ANSI C07162/3530A (modified)
- Extended spindles available
- US32D models listed for use on 3 hour fire doors



0195



- 3/4" offset
- For interior or exterior doors up to 4'0" x 8'0"
- Weight to 450 lbs .
- 0180 top pivot included
- 019 inter mediate pivot required
- Bottom pivot mortised into side jamb
- 3/16" vertical arm adjustment after installation
- BHMA/ANSI C07131/3530A (modified)
- US32D models listed for use on 3 hour fire doors



SEE SS PIVOT/PIVOT SETS CROSSOVER REFERENCE CHART ON PAGE 148