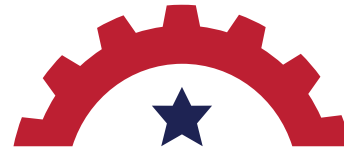


HARDWARE · STOREFRONT · GATES

International[®]
door closers inc

Since 1968

SECURITY · ACCESS CONTROL · PARKING

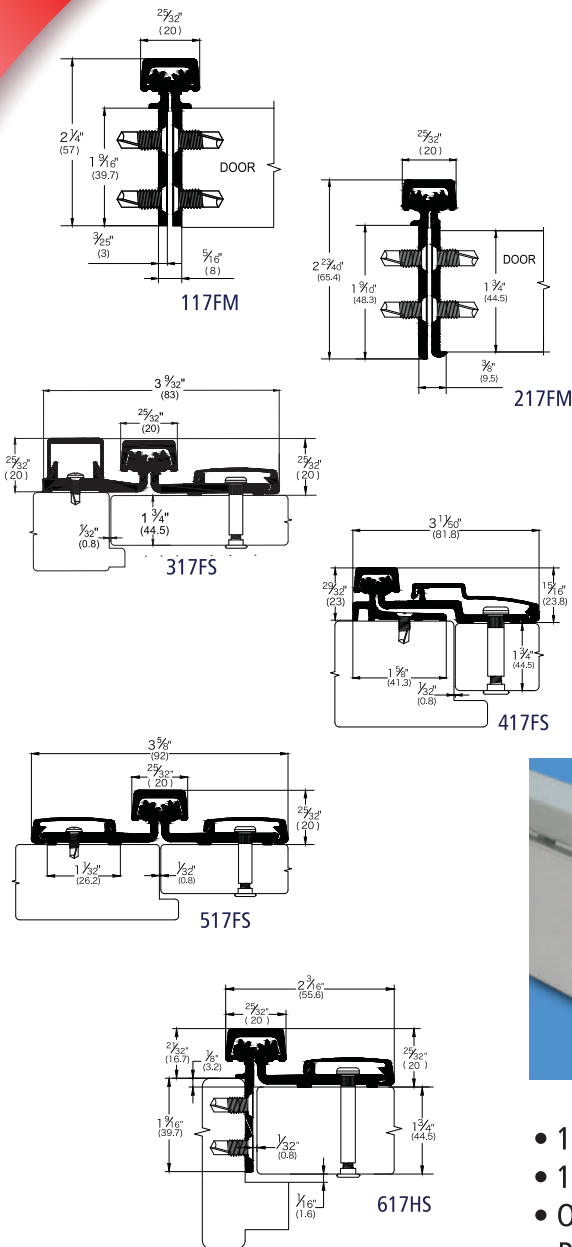


Continuous Geared Hinge SALE

September 1st - 30th. 2019

▶ **SAVE \$60.00** ◀

Purchase 1 Case Of
Aluminium Continuous Geared Hinges
And Receive \$60.00 Off



117FM



317FS



417FS

- 117FM, 217FM, 317FS, 417FS, 517FS & 617HS (heavy duty)
- 1 case = 6 aluminium continuous geared hinges, same model & finish.
- Orders will be filled on first come first served basis.
Please allow 6-8 weeks if backorders occur.

West: 800-544-4422 • East: 800-225-6737

www.intldoorclosers.com