



PUSH/PULL LATCH • MORTISE LOCK

6000 SERIES

HOSPITAL PUSH PULLS



Versatility and ease of installation are the hallmarks of products in this series. 6000 Series handles can be mounted up, down, or horizontal. The 6600/6700 can be mounted in any combination without changes in the field. All models meet ADA requirements. Every unit is available with lead lining (suffix L) and engraving (suffix P), and comes in all BHMA finishes. The standard handle covers are 4-1/2" x 2-3/4". All handles have a projection of 2-3/4" from the face of the door. Most latches available with 2-3/4", 3-3/4", 5" or 7" BS & standard or ASA strike. UL Listed for use with doors rated 1-1/2 hours or less, measuring up to 4 ft. in width and 8 ft. in height. All Push/Pull models available with antimicrobial coating.

6000 PUSH/PULL LATCH



Patent No. 6,196,599

- Non-handed (except for engraved models)
- Push/pull latch mounted using (4) thru-bolts
- Push/pull latch can be mounted with the handles up or down without any modification
- Can be mounted horizontally with proper prep
- Available with 2-3/4", 3-3/4", 5" or 7" backset latches
- Standard T-Strike or ASA strike
- Includes all required fasteners
- Compact non-handed covers provide maximum clearance between the handle and door
- UL listed for all fire doors
- Available in BHMA finishes
- Lead lining is available
- Available latch bracket for Roller to Push Pull conversion
- Meets ADA requirements
- Standard for 1-3/4" thick doors
- Junior cover (3-1/2" x 2-3/4") available (prefix J)
- Round cover available (prefix RC)



(RC)

6100 PUSH/PULL LATCH



Patent No. 6,196,599
5,730,478

SERIES

- Push-Pull trim can be mounted with one side vertical, one side horizontal without modification to parts or doors
- Uses government standard #161 door cut-out
No additional door prep required
- Available with 2-3/4", 3-3/4", 5" or 7" backset latches
- Standard or ASA strike
- UL listed for all fire doors
- Available in all BHMA finishes
- Lead-lining available
- Standard for 1-3/4" thick doors
- Junior cover (3-1/2" x 2-3/4") available (prefix J)
- Round cover available (prefix RC)



(RC)

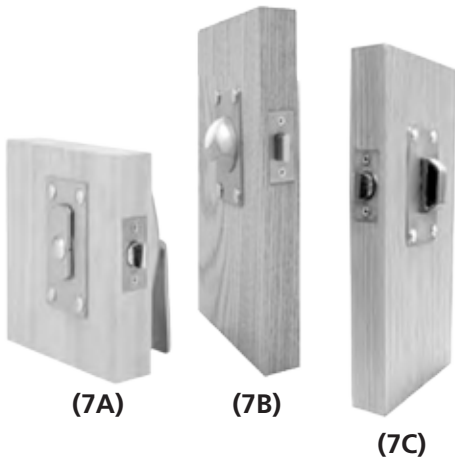
International Door Closers, Inc.

COPYRIGHT 2017 INTERNATIONAL DOOR CLOSERS, INC

West: 800-544-4422 • East: 800-225-6737

www.intldoorclosers.com

6200 PUSH/PULL LATCH



Patent No. 6,196,599

- Can be used on Push, Pull or Both Sides
- Non-handed (except for engraved models)
- Handle can be mounted with the handle up or down without any modification
- Available with 2-3/4", 3-3/4", 5" or 7" backset latches
- Standard or ASA strike
- Includes all required fasteners
- Compact non-handed covers provide maximum clearance between the handle and door
- UL listed for all fire doors
- Available in BHMA finishes
- For institutional use
- Can be used with IDC Mortise Lock and other manufacturer's mortise lock (see 6600/6700)
- No protrusions on Asylum side of door
- No screw access on Asylum side of door
- Round cover available (prefix RC)

6400/6500 PRIVACY HOSPITAL PUSH/PULL LATCH



- Privacy thumbturn lock on one side, emergency unlock on opposite side
- 6400 Pull side thumb lever. 6500 Push side thumb lever
- Available with 2-3/4", 3-3/4", 5" or 7" backset
- Standard or ASA strike
- All standard finishes
- Meets ADA requirements
- Standard for 1-3/4" doors
- UL listed

Patent No. 6,196,599
6,293,598

STRIKES FOR 6000 SERIES

(Contact IDC for Custom Strikes)



6055
FULL LIP
STRIKE
1-1/4" x 2-1/4"



T STRIKE
6058
2-3/4" x 1-3/8"
EXTENDED LIP
605858
2-3/4" x 1-5/8"



ASA STRIKE
6059
4-7/8" x 1-3/8"
EXTENDED LIP
605912
4-7/8" x 1-1/2"
605958
4-7/8" x 1-5/8"

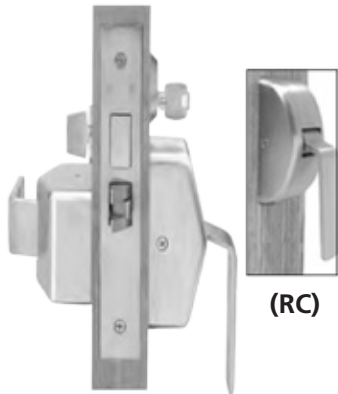


6603RL
For 6600
Mortise
Lock Series



6059RL
For 6000
Cylindrical
Latch Bolt
Series

6600 PUSH/PULL TRIM



Patent No. 5,730,478
6,196,599

WITH A MORTISE LOCK

- Trim can be mounted up, down, horizontally or in any combination
- Uses standard mortise lock door prep
- Indicate hand when ordering
- Junior cover (3-1/2" x 2-3/4" available (prefix J).

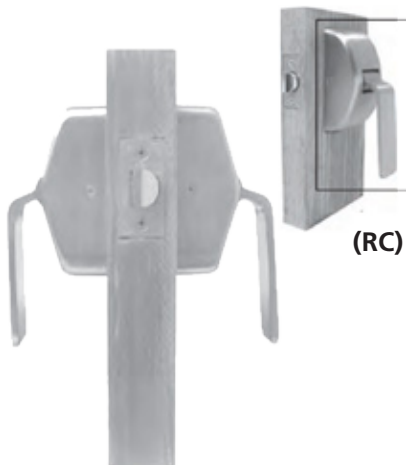
Recommended when mounting push side horizontal.

- Cylinder not provided
- Contact factory for cam requirements if cylinder is used
- 3/4" latch bolt throw
- UL listed
- Asylum knob trim available
- Round cover available (prefix RC)

CROSS REFERENCE		
ABH	GALYNN-JOHNSON	FUNCTION
6610	HL6-9010	PASSAGE
6632	HL6-9040	PRIVACY
6637	HL6-9466	STORAGE-UTILITY ROOM
6638	HL6-9060	APARTMENT ENTRANCE
6641	HL6-9082	INSTITUTION
6645	HL6-9485	HOTEL
6653	HL6-9453	ENTRANCE
6654	HL6-9473	DORMITORY-BEDROOM
6656	HL6-9070	CLASSROOM
6657	HL6-9456	DORMITORY-EXIT
6658	HL6-9080	STOREROOM

Brand names are trademarks or registered trademarks of their respective companies

6700 PUSH/PULL TRIM



Patent No. 5,730,478
6,196,599

FOR OTHER MANUFACTURERS' MORTISE LOCKS

- Trim can be mounted up, down, horizontally or in any combination
- Uses standard mortise lock door prep
- Junior cover (3-1/2" x 2-3/4") available (prefix J) recommended when mounting push side horizontal.

NOTE: Must use mortise lock for knob trim, do not use mortise lock for lever handle

- UL Classified
- Mortise lock not provided
- Asylum knob trim available
- Round cover available (prefix RC)

****IDC will request lock sample****

ABH MODEL #	USED WITH (OTHER MANUFACTURER)
6710	Best, Falcon, Marks, Dorma
6720	Schlage
6730	Yale
6740	Corbin/Russwin
6750	Sargent
6760	PDQ
6770	Arrow

Brand names are trademarks or registered trademarks of their respective companies

6600/6700 EXIT ONLY



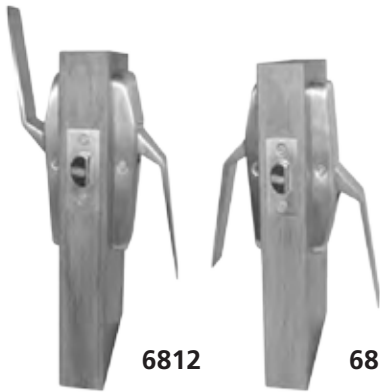
Patent No. 5,730,478
6,196,599

- 6600EO with mortise lock 2-3/4" backset
- 6700EO for other manufacturers' mortise lock
- Indicate handing and push or pull handle
- Trim available in all BHMA finishes
- Back plate or Security plate available in Stainless Steel only
- Junior cover (3-1/2" x 2-3/4") available (prefix J) recommended when mounting push side horizontal.
- Round cover available (prefix RC)



(RC)

6800 LOW PROFILE PUSH/PULL



Patent No. 7,258,374

- Cover projection 7/8", handle projection 2-5/8"
- 2-3/4", 3-3/4", 5", 7" backsets
- Handing can be easily changed in the field (unless engraved handles used)
- Roller latch conversion kit available, Part No. 601LB
- Exit only available
- Standard or ASA strike
- Available in most architectural finishes
- UL listed
- Round cover available (prefix RC)



Low Profile
(RC)

Order form available on-line or contact factory

6830 LOW PROFILE REVERSE LATCH



Patent No. 7,258,374

- Latch bolt is thrown only when push handle is activated and held
- For use in psychiatric and mental patient areas or "time-out" rooms, schools and rehabilitative facilities
- Push handle on one side, flat plate on the other side
- Available with 2-3/4", 3-3/4", 5" or 7" backset
- Handle can be mounted up or down
- Does not violate Life Safety Codes
- Standard for 1-3/4" thick doors
- Round cover available (prefix RC)



Low Profile
(RC)

Order form available on-line or contact factory

EX, H & X SERIES



EX SERIES
Patent No.
5,730,478
6,196,599

- EX Series - 6" extended handle
PSEX 6000 Pushside extended handle
PLEX 6000 Pullside extended handle
PPEX 6000 Both sides extended handles
- Available in stainless steel only
- Ideal for hospital scrub rooms and restaurant kitchen doors

PUSH-PULL WITH HIP PADDLE OR HANDLE EXTENSION FOR MOST 6000, 6600 AND 6700 MODELS



H SERIES
Patent No.
5,730,478
6,196,599

- H Series - oversize paddle on push side trim - Available in most BHMA finishes
- Also available on 6800 series
- Ideal for hospital scrub rooms and restaurant kitchen doors
- Prefix H



X SERIES
Patent No.
5,730,478
6,196,599

- X Series - handle extension - one side
- Ideal for hospital scrub rooms and restaurant kitchen doors
- Prefix X

J PUSH/PULL



SERIES WITH JUNIOR COVER

- Compact 3-1/2" x 2-3/4" cover for handles
- Recommended 1/2" clearance between the cover and jamb stop for 2-3/4" backset and mortise lock models when handles are mounted horizontally
- Available for All series (except 6800) (prefix J)
- Available in most BHMA finishes

Patent No. 5,730,478
6,196,599

ROUND COVER SERIES



RC6000



RC6600/
RC6700



RC6800

PUSH/PULL WITH ROUND COVER

- Non-handed covers
- Covers can be used on both sides of unit
- Available in all BHMA finishes
- Available for all Push/Pull Latch units
- Ideal for use in psychiatric facilities for patient safety
- Security screws available
- Patent pending
- Prefix RC

International Door Closers, Inc.

COPYRIGHT 2017 INTERNATIONAL DOOR CLOSERS, INC

West: 800-544-4422 • East: 800-225-6737

www.intldoorclosers.com