



MICROCELL BEAM • DAMAGE PREVENTION

FLEX IR

FLEXIBLE • UV-RESISTANT



DAMAGE RESISTANT

- Flexible mounting bracket prevents the Microcell beam system from damage when installed in industrial applications.
- Flexible, UV-resistant material prevents damage to the beam heads, optimizing safety and reliability.

NEMA 4 RATING

- Kits are also available which include the Flex IR, Microcell beam sets and sealed mounting boxes (suitable for exposure to wet and harsh conditions).

ADAPTABLE

- The bracket can be installed in a parallel or perpendicular position to the mounting surface, allowing optimal flexibility for different applications.

SERVICE FRIENDLY

- The Flex IR is built to withstand various conditions should accidents occur. If struck, the Flex IR will bend and flex back into position reducing service calls.

RELATED PRODUCTS



Br3



Falcon



IS40



IXIO-DT1



Eagle HM



SuperScan
Industrial



INDUSTRIAL

Microcell Beam
Damage Prevention

International Door Closers, Inc.

COPYRIGHT 2017 INTERNATIONAL DOOR CLOSERS, INC

West: 800-544-4422 • East: 800-225-6737

www.intldoorclosers.com

SPECIFICATIONS

Materials:

Flexible Beam Holder
Silicone

Mounting Brack
Galvanized Steel

Button Plug
ABS and Lexan

Screws
18/8 Stainless Steel

Installation Height
See Mechanical Installation Instructions in User's Guide

Operating Temperature
-30° to + 131° F

Minimum Distance between pairs of beams
12" (304.8mm)
(beams must not be crossed)

Range of Detection:
Minimum
3' (1 m)

Maximum
16.5' (5m) if mounted
8" (0.2m) above ground

33' (10m) if mounted
16" (0.4m) above ground

Minimum Distance from Plane of Door
1" (25.4mm)

Alignment Tolerance
8°

Housing color
Black

Dimensions
6" x 1 3/4" x 2 3/4"
(150mm x 45mm x 70mm)

Degree of protection:
With Mounting Box
NEMA 4

PRODUCT FAMILY

10FLEXIR

Flexible mounting brackets for BEA Microcell safety beam system — (2) Flex IR brackets are included per set

10FLEXIRN4

(1) 10FLEXIR bracket set, (1) 10MICROCELL15 single beam set, and (2) NEMA 4 boxes

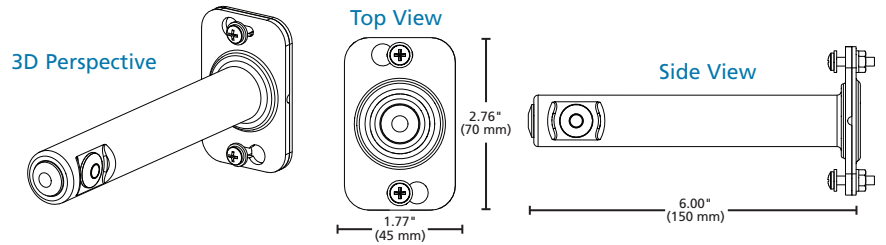
10FLEXIRN4DL

(2) 10FLEXIR bracket sets, (2) 10MICROCELL1D double beam sets, and (4) NEMA 4 boxes

10FLEXIRKIT

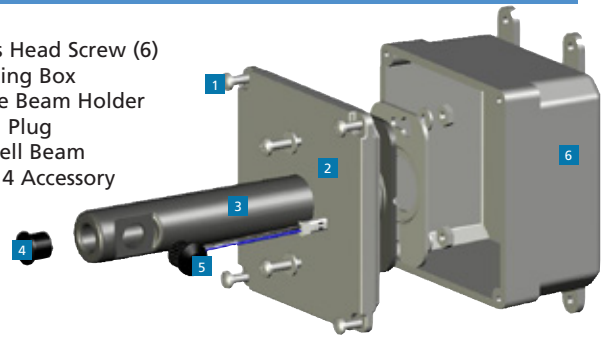
Includes (1) 10FLEXIR bracket set and (1) 10MICROCELL15 single beam set

DIMENSIONAL DRAWINGS



COMPONENTS

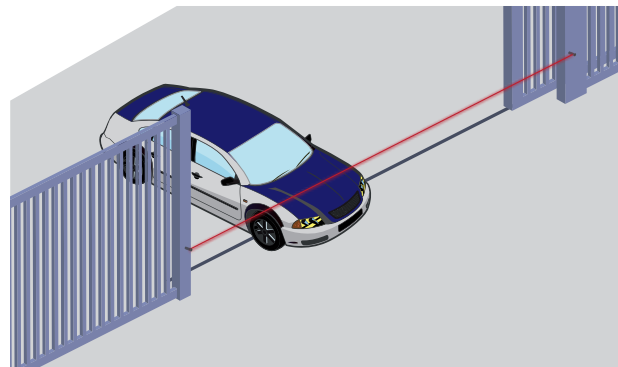
- 1 Phillips Head Screw (6)
- 2 Mounting Box
- 3 Flexible Beam Holder
- 4 Button Plug
- 5 Microcell Beam
- 6 NEMA 4 Accessory



APPLICATIONS



- Flex IR protects the Microcell against blunt hits from tractor trailers, forklifts, or heavy objects in the industrial setting.



- The flexible housing protects the Microcell from damage in the event that it is struck by a vehicle.