



ADJUSTABLE SPRING POWER - SURFACE APPLIED CLOSER

5000-TP SERIES

SPECIFICATIONS



PART 1 GENERAL

1.1 SECTION INCLUDES

A. Model 5000-TP Door Closer (Handicapped approved and UL listed)

B. Features:

1. Recommended for High Traffic doors
2. Rack and pinion mechanism contained in a high tensile precision cast aluminum housing
3. Double heat treated steel pinion
4. All weather fluid
5. Non-handed
6. Non-sized adjustable 1-6; standard with Backcheck
7. Unit comes with dress cover, standard arm and parallel bracket, (optional) arm assemblies and drop plates are available for special installation requirements
8. Optional, hold-open arms. Hold-open arms are adjustable for holding from 90° to 180°

1.2 REFERENCES

- A. ANSI A117.1 – Barrier Free Operation to comply with Federal Accessibility Standards (ADA)
- B. ANSI A156.4 - Model 5000-TP is certified to Grade #1
- C. Certified to conform to UBC 7-2 (1997, UL228)
- D. Underwriters Laboratories (UL/C) listed

1.3 SUBMITTALS

- A. Product Data: Manufacturer's data sheets on each product to be used, including:
 1. Preparation instructions and recommendations
 2. Storage and handling requirements and recommendations
 3. Installation methods
- B. Shop Drawings: Manufacturer's approved drawings detail the application
- C. Section Samples: Samples are available depicting the finish types
- D. Verification Samples: For the finish product specified, two full size samples representing actual product, color and size

FINISHES

- AL - Aluminum
- DU - Storefront Bronze

10 YEAR WARRANTY



1.4 QUALITY ASSURANCE

Manufacturer Qualifications: Model 5000-TP will be provided by a single manufacturer with over 30 years of experience in door closers

1.5 DELIVERY, STORAGE AND HANDLING

- A. Store products in manufacturer's unopened packing until ready for installation
- B. No harsh chemicals are used during this process, so no special handling or disposal is required

1.6 PROJECT CONDITIONS

Maintain environmental conditions (temperature, humidity and ventilation) within limits recommended by the manufacture for optimum results. Do not install this product if environmental conditions are outside the manufacturers limits.

1. Operating temperatures are: -45° F below zero (0C) to 150° F (50C)
2. Maximum Humidity is 100%
3. All weather hydraulic fluid allows the 5000-TP to operate in a wide range of temperatures
4. The body of the closer is constructed of high tensile precision cast aluminum

1.7 WARRANTY

After project completion, the owner or owner's representative will receive a copy of the Manufacturer's Limited Warranty against manufacturing defects. The duration of this warranty is 10 years.

PART 2 PRODUCTS

2.1 MANUFACTURER

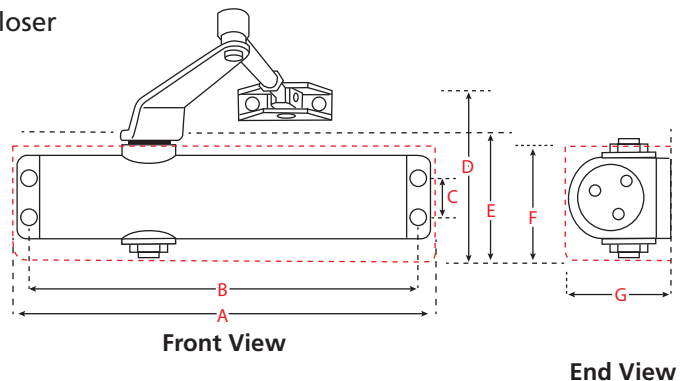
International Door Closers locations: 1140 North Kraemer Pl, Anaheim, CA 92806 (800) 544-4422
 1920 Air Lane Dr, Nashville, TN 37120 (800) 225-6737

2.2 DOOR CLOSER

Model 5000-TP Series – Adjustable Spring Power/Surface Closer

1. Non-handed

- A. Length of Closer w/Cover 13"
- B. Horizontal Mounting holes 12"
- C. Vertical Mounting holes 3/4"
- D. Overall Height 5 1/8"
- E. Top of Door to Bottom of Closer 3 1/2"
- F. Height of Closer 3"
- G. Projection from door 2 5/16"





ADJUSTABLE SPRING POWER - SURFACE APPLIED CLOSER

5000-TP SERIES

SPECIFICATIONS

PART 3 EXECUTION

3.1 EXAMINATION

- A. Do not begin installation until substrates have been properly prepared
- B. If the substrate is the responsibility of another installer, notify the Architect of any unsatisfactory preparation before proceeding

3.2 PREPARATION

- A. Clean surfaces thoroughly prior to installation
- B. Prepare surfaces using the methods recommended by the manufacturer for achieving the best result for the substrate under the project conditions

3.3 INSTALLATION

- A. Install in accordance with manufacturer's instructions

3.4 PROTECTION

- A. Protect installed products until completion of project
- B. Repair or replace and damaged products before substantial completion