



LOW ENERGY DOOR ELECTRONICS THE BOLLARD

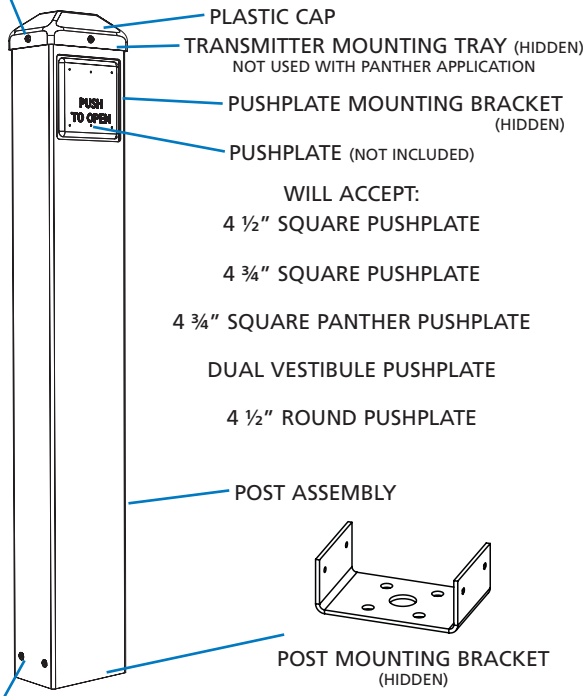
FEATURES

Constructed with durable carbon steel and will mount IDC 4 3/4" square and 4 1/2" round push plate lines

- Can be mounted on either existing concrete or newly poured concrete
- Available in silver, bronze, and black
- Stainless steel mounting bracket
- UV Resistant ABS plastic cap allowing for wireless transmissions



CAP MOUNTING
SCREWS (3)
WASHERS (3)



POST MOUNTING
SCREWS (4)

EASY INSTALLATION MULTIPLE APPLICATIONS VERY DURABLE

The Bollard is used for mounting pushplates that activate automatic doors.

It will accept IDC's 4 1/2" Square Pushplate, 4 3/4" Square Pushplate, 4 3/4" Panther Pushplate, Dual Vestibule Pushplate and 4 1/2" Round Pushplate. The post is made of durable carbon steel and the mounting bracket is made of stainless steel for strength. It can be mounted on either existing concrete or newly poured concrete.

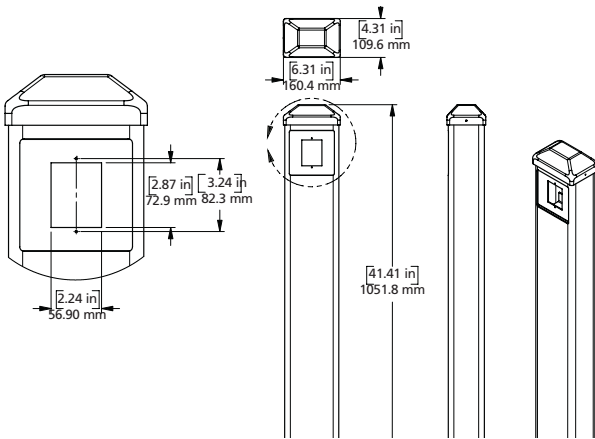
- 10BOLLARDBLK - Black
- 10BOLLARDBRZ - Bronze
- 10BOLLARDSLV - Silver

International Door Closers, Inc.

COPYRIGHT 2014 INTERNATIONAL DOOR CLOSERS, INC

West: 800-544-4422 • East: 800-225-6737
www.intldoorclosers.com

DRAWINGS



TECHNICAL SPECIFICATIONS

Dimensions
(with cap attached) 41 ½" H x 6 ¼" W x 4 ¼" D

Material Post Carbon Steel (Inside and Out)

Cap UV-Resistant ABS Plastic

Mounting Bracket Stainless Steel

Pushplate Options
 4 ½" Square Push plate
 4 ¾" Square Push plate
 4 ¾" Square Panther Push plate
 Dual Vestibule Push plate
 4 ½" Round Push plate
 Low Profile Push plates

Weight 35 lbs (16 kilos)

Colors Black, Bronze, Silver

Mounting Hardware Anchors, Washers and Nuts (Included)

DISCLAIMER This document as well as all other enclosed documents (quotation / specification / other) are provided «as is» without warranties of any kind, either expressed or implied, including but not limited to the implied warranties of merchantability, fitness for a particular purpose, or non-infringement. / Information is supplied upon the condition that the persons receiving it will make their own determination as to its suitability for their purposes prior to use. In no event will IDC be responsible for damages of any nature whatsoever resulting from the use of or reliance upon information from this document or the products to which the information refers. / IDC has the right without liability to change descriptions and specifications at any time. / Prices, shipping and availability are subject to change without prior notice.

International Door Closers, Inc.

COPYRIGHT 2014 INTERNATIONAL DOOR CLOSERS, INC

West: 800-544-4422 • East: 800-225-6737

www.intldoorclosers.com