

INSTALLATION INSTRUCTIONS: SWINGER 300 GATE CLOSER

1. Cut mounting post 1-1/16" taller than the finished height of gate.

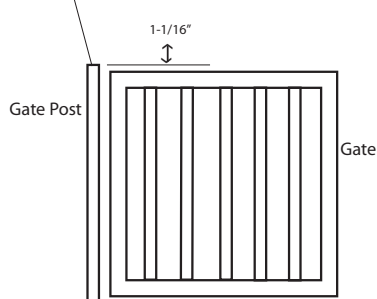


Figure A

2. Locate Closer housing on top of hinge post. Closer housing extends 4-1/8" into gate opening. See figure B. Weld closer housing into place.

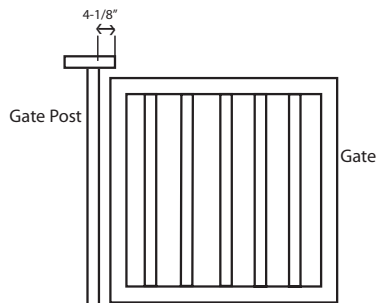


Figure B

3. After housing has cooled, install closer in housing and install three (3) mounting bolts #10 and #9.

4. Insert bushing #5 into arm assembly #3, snug the clamp bolt #6 and slip onto closer.

5. Set gate into opening and raise to meet the bottom of the closer arm assembly #3.

6. Level, plumb and square gate in opening.

7. Clamp top of gate frame to arm assembly.

8. Weld bottom hinge to post.

9. Tack weld closer arm plate #4 to gate. DO NOT FULLY WELD.

10. Remove bolts from arm #3 to gate plate #4, swing arm out of the way and weld gate plate to gate.

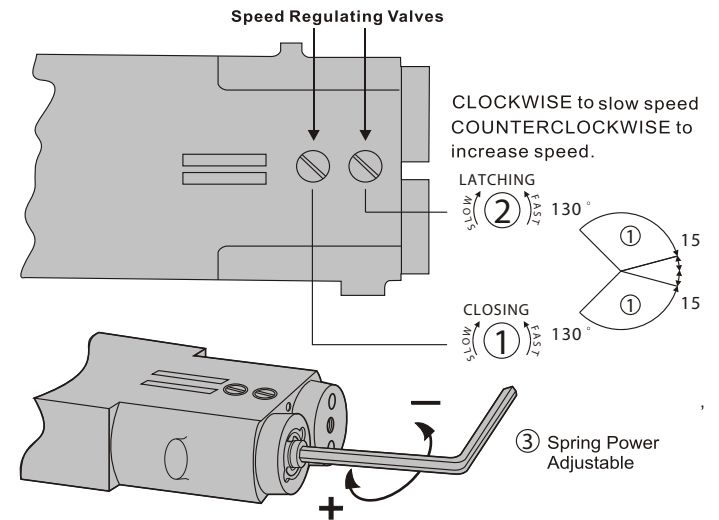
11. Realign arm with gate plate and install bolts #7 and washers #8.


12. Install the longer of the adjusting screws #12 in the close side of the arm. (Note: one set screw is longer than the other)

13. With gate in full closed position and latched adjust set screw so that it hits the collar tab plus approx. 1/2 turn.

14. Adjust for proper spring power, closing, and latching speed.

"ADJUSTABLE POWER" Pedestrian Gate Closer Series 311 Model 311RVLS Center Hung - Double or Single Acting



 Spring Power adjustable from 5 lbs of Opening Force (at '0' turns) to Medium Spring Tension (at '9' Turns).

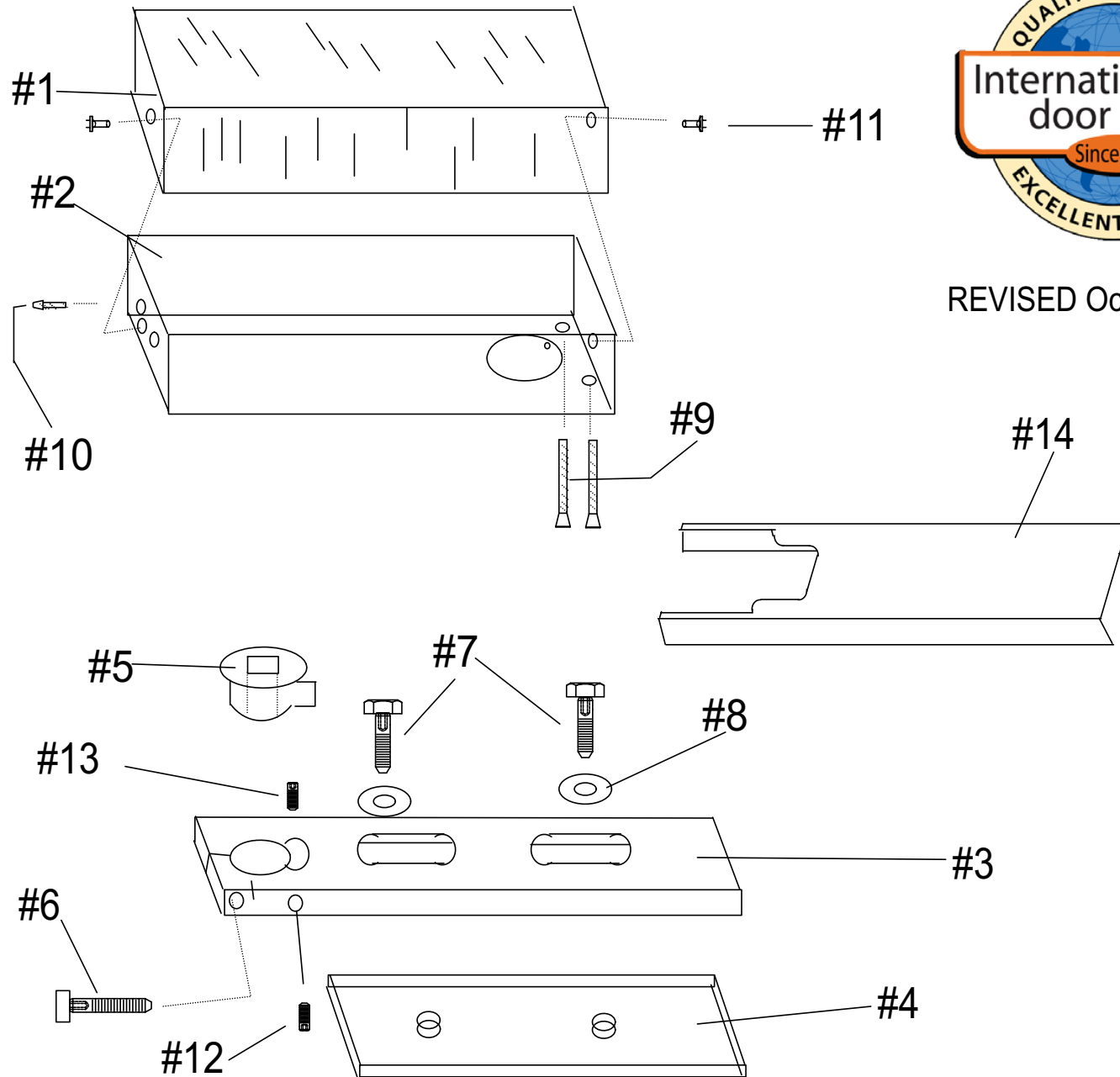


East: 1920 Air Lane Drive • Nashville, Tennessee 37210 • 615/885-7060

West: 1140 N. Kraemer Place • Anaheim, California 92806 • 714/666-0309



REVISED October 2009



REVISED 10/09

Swinger 300 Parts List:

<u>Item #</u>	<u>Quantity</u>	<u>Description</u>	<u>Part #</u>	<u>Net Price</u>
#1	1	Housing Cover	311-1	\$
#2	1	Housing Box	311-2	\$
#3	1	Arm	311-3	\$
#4	1	Gate plate	311-4	\$
#5	1	Bushing	311-5	\$
#6	1	¼-28x1" Socket head cap screw	311-6	\$
#7	2	3/8-24 x ½" #5 Hex head bolt	311-7	\$
#8	2	3/8" USS-SAE Flat washer	311-8	\$
#9	2	¼-20 x 1-1/4" Flathead screws	311-9	\$
#10	2	¼-20 x ½" Button head screws	311-10	\$
#11	2	10-32 x ¼" Button head screw	311-11	\$
#12	1	¼-20 x 5/8" Socket set screw	311-12	\$
#13	1	¼-20 x 1/2" Socket set screw	311-13	\$
#14	1	Arm cover	311-14	\$
Not shown:				
	1	Hydraulic Closer	311RVLS	\$