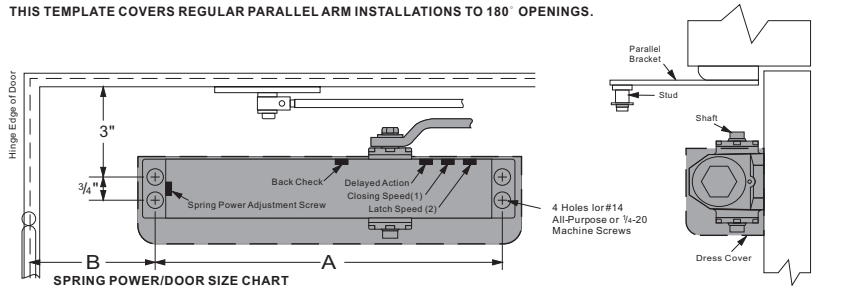


PARALLEL ARM INSTALLATION
CLOSER MOUNTED ON DOOR ON PUSH SIDE

THIS TEMPLATE COVERS REGULAR PARALLEL ARM INSTALLATIONS TO 180° OPENINGS.



SPRING POWER/DOOR SIZE CHART

9001			
FULL TURNS OF SPRING ADJUSTMENT SCREW	MAXIMUM DOOR WIDTH		
	INTERIOR DOOR SIZE	EXTERIOR DOOR SIZE SWING OUT	SWING IN
1	8 1/2 Pound Opening Force		
3	32"	28"	24"
5	36"	32"	28"
8	42"	36"	32"
11	48"	42"	36"

9003			
FULL TURNS OF SPRING ADJUSTMENT SCREW	MAXIMUM DOOR WIDTH		
	INTERIOR DOOR SIZE	EXTERIOR DOOR SIZE SWING OUT	SWING IN
1	5 Pound Opening Force		
5	32"	28"	24"
9	36"	32"	28"
12	42"	36"	32"
13	MAXIMUM TURNS		

LEFT HAND DOOR ILLUSTRATED. Same dimensions apply for Right Hand Door measured from hinge edge.

A	FOR OPENING TO 120°			FOR OPENING 120° - 180°		
	B	C	B	C	B	C
11-3/32"	4"	8-13/16"	2-5/8"	7-7/16"		

INSTALLATION INSTRUCTIONS

- Select degree of opening and use dimensions shown in above chart to mark four holes on door for closer and four holes on frame for parallel bracket
- Drill pilot holes in door and frame for #14 all-purpose screws or drill and tap for 1/4-20 machine screws
- Mount closer on door with **SPEED REGULATING VALVES AWAY FROM HINGE EDGE.**
- Attach parallel bracket to door stop as illustrated.
- Using a wrench on the square shaft at bottom of closer, rotate shaft, approximately 45° toward hinge edge of door. Hold and place mam arm on shaft on top of closer at proper index mark as illustrated. **FOR LEFT HAND DOOR No. 3** (Illustration "A"). **FOR RIGHT HAND DOOR No. 2** (Illustration "B"). Tighten arm screw with lockwasher securely
- Remove the arm shoe from the forearm (arm shoe is not used in this application) and place forearm on parallel bracket stud and tighten screw with lockwasher securely
- Adjust length of forearm so when it is attached to mam arm, the mam arm will be slightly away from parallel with closed door, and assemble at elbow then tighten locknut

ADJUSTMENT INSTRUCTIONS

SPRING POWER — Is controlled by the Hex Socket Spring Adjustment Screw. Power is now set at "0" turns. To INCREASE, use a 3/16" Allen Key and turn COUNTERCLOCKWISE "full" 360 turns as per the Spring Power/Door Size Chart above.

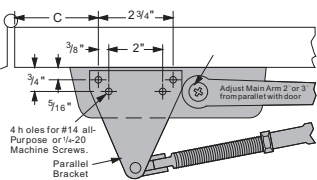
SPEED — Door closing speed is controlled by Regulating Valve No. 1. COUNTERCLOCKWISE turns increase closing speed. COUNTERCLOCKWISE turns increase closing speed.

LATCHING — Latching action is controlled by Regulating Valve No. 2. COUNTERCLOCKWISE turns slow latch speed. COUNTERCLOCKWISE turns increase latch speed.

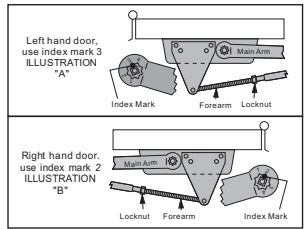
BACK-CHECK — (Models 9001 & 9003) is controlled by the Back-Check Adjustment Valve marked BC on the closer. Back-Check is now set for a soft action. To INCREASE Back-Check action turn valve COUNTERCLOCKWISE. NOTE: Never close BC valve completely, or use with the DA. To DECREASE, or to TURN OFF Back-Check action turn valve COUNTERCLOCKWISE.

DELAYED CLOSING ACTION — (Full Feature 9003) is controlled by the Delayed Closing Action Adjustment Valve marked DA on the closer. To INCREASE Delayed Closing Action turn valve COUNTERCLOCKWISE. NOTE: Never close DA valve completely, or use with the BC. To DECREASE Delayed Closing Action turn valve COUNTERCLOCKWISE.

DRESS COVER — (When used, select proper cut-out) — Pull out correct Notch (Marked L or R) for shaft and place over closer. Attach with truss head machine screw provided



POSITION OF ARMS & INDEX SETTINGS



COPYRIGHT 2000 INTERNATIONAL DOOR CLOSERS, INC.
 T-1290

Surface Mounted
 Adjustable **Series 9000**
 Back-Check Model 9001 .8/2 lb. opening thru size 5
 Full Feature Model 9003.....5 lb. opening thru size 4
No Hold-Open
 Installation Instructions

International®

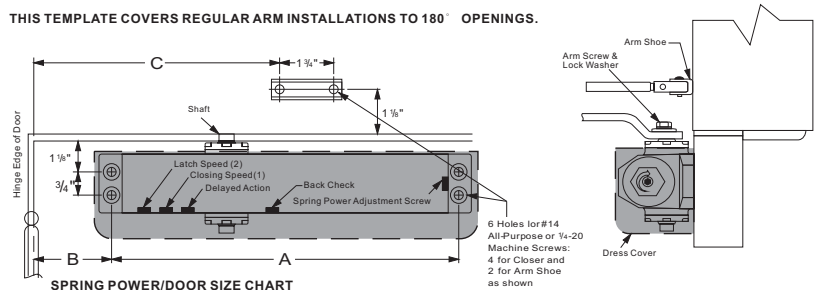
<p style="text-align: center;">Series 9000 With Dress Cover</p>	<p>STANDARD INSTALLATION</p> <p>CLOSER MOUNTED ON DOOR ON PULL SIDE</p> <p>PAGE 2.</p>	<p style="text-align: center;">Series 9000 No Dress Cover</p>
	<p>TOP JAMB INSTALLATION</p> <p>CLOSER MOUNTED ON TOP JAMB ON PUSH SIDE OF DOOR</p> <p>PAGE 3.</p>	
	<p>PARALLEL INSTALLATION</p> <p>CLOSER MOUNTED ON DOOR ON PUSH SIDE</p> <p>PAGE 4.</p>	
<p style="text-align: center;">CHART TO DETERMINE HAND OF DOOR</p>		<p style="text-align: center;">CHART TO DETERMINE HAND OF DOOR</p>

INTERNATIONAL DOOR CLOSERS, INC.

<p>International door closers INC.</p>	<p>EAST: 1920 Air Lane Drive • Nashville, TN 37210 (615)885-7060 • (800)225-6737 • FAX:(615)885-0903</p>	<p>WEST: 1140 North Iraemore Place • Amajeo, CA 92806 (714)666-0390 • (800)544-4422 • FAX:(714)66-2215 IN-DC-9000-IDC</p>
---	---	---

STANDARD INSTALLATION CLOSER MOUNTED ON DOOR ON PULL SIDE

THIS TEMPLATE COVERS REGULAR ARM INSTALLATIONS TO 180° OPENINGS.



SPRING POWER/DOOR SIZE CHART

9001			
FULL TURNS OF SPRING ADJUSTMENT SCREW	MAXIMUM DOOR WIDTH		
	INTERIOR DOOR SIZE	EXTERIOR DOOR SIZE SWING OUT SWING IN	
0	8½ Pound Opening Force		
2	36"	32"	28"
4	42"	36"	32"
7	48"	42"	36"
10	54"	48"	42"

9003			
FULL TURNS OF SPRING ADJUSTMENT SCREW	MAXIMUM DOOR WIDTH		
	INTERIOR DOOR SIZE	EXTERIOR DOOR SIZE SWING OUT SWING IN	
0	5 Pound Opening Force		
4	36"	32"	28"
8	42"	36"	32"
11	48"	42"	36"

RIGHT HAND DOOR ILLUSTRATED. Same dimensions apply for left Hand Door measured from hinge edge.

A	FOR OPENING TO 120°		FOR OPENING 120°-180°	
	B	C	B	C
11-3/32"	6-7/16"	11-13/16"	5-1/8"	10-1/2"

INSTALLATION INSTRUCTIONS

- Select degree of opening and use dimensions shown in above chart to mark four holes on door for closer and two holes on frame for arm shoe
- Drill pilot holes in door and frame for #14 all-purpose screws or drill and tap for 1/4-20 machine screws
- Mount Closer on door with SPEED REGULATING VALVES TOWARD HINGE EDGE.
- Place main arm on shaft on top of closer at proper index mark as illustrated FOR RIGHT HAND DOOR No. 4 (Illustration A). FOR LEFT HAND DOOR No. 1 (Illustration "B"). Tighten arm screw with lockwasher securely
- Attach the arm shoe of the forearm to the frame
- Adjust length of forearm so when it is attached to main arm it will be at right angle (90°) to door when door is closed and assemble at elbow then tighten locknut.

ADJUSTMENT INSTRUCTIONS

SPRING POWER — is controlled by the Hex Socket Spring Adjustment Screw. Power is now set at "0" turns. To INCREASE, use a 3/16" Allen Key and turn CLOCKWISE "full" 360° turns as per the Spring Power/Door Size Chart above.

SPEED — Door closing speed is controlled by Regulating Valve No. 1. CLOCKWISE turns slow closing speed. COUNTERCLOCKWISE turns increase closing speed.

LATCHING — Latching action is controlled by Regulating Valve No. 2. CLOCKWISE turns slow latch speed. COUNTERCLOCKWISE turns increase latch speed.

BACK-CHECK — (Models 9001 & 9003) is controlled by the Back-Check Adjustment Valve marked BC on the closer. Back-Check is now set for a soft action. To INCREASE Back-Check action turn valve CLOCKWISE. NOTE: Never close BC valve completely, or use with the DA. To DECREASE, or to TURN OFF Back-Check action turn valve COUNTERCLOCKWISE.

DELAYED CLOSING ACTION — (Full Feature 9003) is controlled by the Delayed Closing Action Adjustment Valve marked DA on the closer. To INCREASE Delayed Closing Action turn valve CLOCKWISE. NOTE: Never close DA valve completely, or use with the BC. To DECREASE Delayed Closing Action turn valve COUNTERCLOCKWISE.

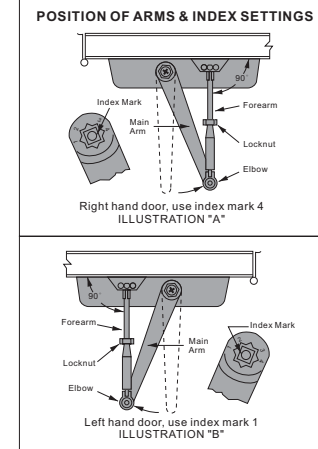
POWER ARM SHOE — is now set for average Power. If more Power is required, move Forearm from center hole in Arm Shoe to hole closest Main Arm. If less Power is required, move Forearm to hole farthest from Main Arm.

DRESS COVER — (When used, select proper cut-out) — Pull out correct Notch (Marked L or R) for shaft and place over closer. Attach with truss head machine screw provided.



BC

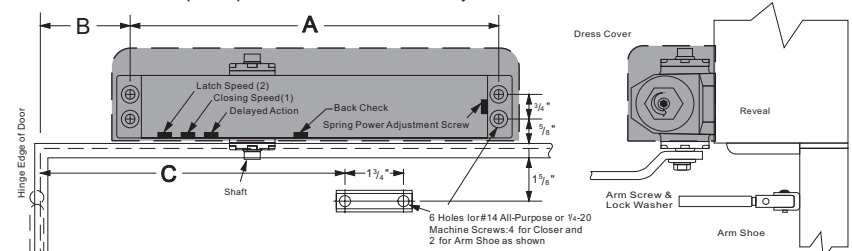
DA



COPYRIGHT 2000 INTERNATIONAL DOOR CLOSERS, INC. T-1290

TOP JAMB INSTALLATION CLOSER MOUNTED ON TOP JAMB ON PUSH SIDE OF DOOR

THIS TEMPLATE COVERS REGULAR ARM INSTALLATIONS TO 180° OPENINGS. Reveals of 2 3/4" to 5 1/2" require "Top Jamb" Forearm Extender Accessory and must be ordered extra.



LEFT HAND DOOR ILLUSTRATED. Same dimensions apply for Right Hand Door measured from hinge edge.

A	FOR OPENING TO 120°		FOR OPENING 120°-180°	
	B	C	B	C
11-3/32"	6-7/16"	11-13/16"	5-1/4"	10-5/8"

INSTALLATION INSTRUCTIONS

- Select degree of opening and use dimensions shown in above chart to mark four holes on frame for closer and two holes on door for arm shoe
- Drill pilot holes in door and frame for #14 all-purpose screws or drill and tap for 1/4-20 machine screws.
- Mount closer on frame with SPEED REGULATING VALVES TOWARD HINGE EDGE.
- Place main arm on shaft on bottom of closer at proper index mark as illustrated FOR RIGHT HAND DOOR No. 4 (Illustration "B") FOR LEFT HAND DOOR No. 1 (Illustration "A") Tighten arm screw with lockwasher securely
- Attach the arm shoe of the forearm to the door.
- Adjust length of forearm so when it is attached to main arm it will be at a right angle(90°) to door when door is closed and assemble at elbow then tighten locknut.

ADJUSTMENT INSTRUCTIONS

SPRING POWER — is controlled by the Hex Socket Spring Adjustment Screw. Power is now set at "0" turns. To INCREASE, use a 3/16" Allen Key and turn CLOCKWISE "full" 360° turns as per the Spring Power/Door Size Chart above.

SPEED — Door closing speed is controlled by Regulating Valve No. 1. CLOCKWISE turns slow closing speed. COUNTERCLOCKWISE turns increase closing speed.

LATCHING — Latching action is controlled by Regulating Valve No. 2. CLOCKWISE turns slow latch speed. COUNTERCLOCKWISE turns increase latch speed.

BACK-CHECK — (Models 9001 & 9003) is controlled by the Back-Check Adjustment Valve marked BC on the closer. Back-Check is now set for a soft action. To INCREASE Back-Check action turn valve CLOCKWISE. NOTE: Never close BC valve completely, or use with the DA. To DECREASE, or to TURN OFF Back-Check action turn valve COUNTERCLOCKWISE.

DELAYED CLOSING ACTION — (Full Feature 9003) is controlled by the Delayed Closing Action Adjustment Valve marked DA on the closer. To INCREASE Delayed Closing Action turn valve CLOCKWISE. NOTE: Never close DA valve completely, or use with the BC. To DECREASE Delayed Closing Action turn valve COUNTERCLOCKWISE.

POWER ARM SHOE — is now set for average Power. If more Power is required, move Forearm from center hole in Arm Shoe to hole closest Main Arm. If less Power is required, move Forearm to hole farthest from Main Arm.

DRESS COVER — (When used, select proper cut-out) — Pull out correct Notch (Marked L or R) for shaft and place over closer. Attach with truss head machine screw provided.



BC

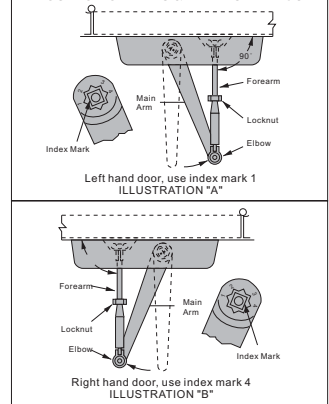
DA

SPRING POWER/DOOR SIZE CHART

9001			
FULL TURNS OF SPRING ADJUSTMENT SCREW	MAXIMUM DOOR WIDTH		
	INTERIOR DOOR SIZE	EXTERIOR DOOR SIZE SWING OUT SWING IN	
0	8½ Pound Opening Force		
2	36"	32"	28"
4	42"	36"	32"
7	48"	42"	36"
10	54"	48"	42"

9003			
FULL TURNS OF SPRING ADJUSTMENT SCREW	MAXIMUM DOOR WIDTH		
	INTERIOR DOOR SIZE	EXTERIOR DOOR SIZE SWING OUT SWING IN	
0	5 Pound Opening Force		
4	36"	32"	28"
8	42"	36"	32"
11	48"	42"	36"

POSITION OF ARMS & INDEX SETTINGS



COPYRIGHT 2000 INTERNATIONAL DOOR CLOSERS, INC.