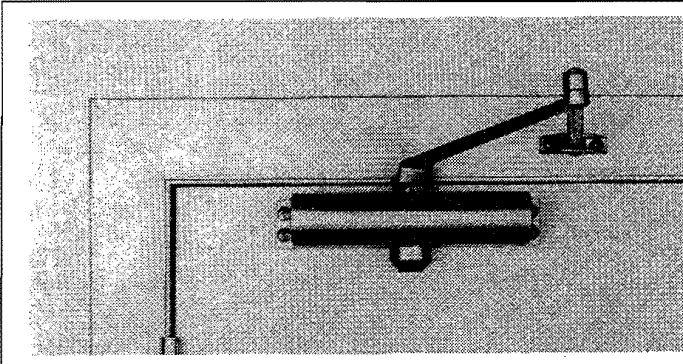


Surface Mounted  
Adjustable **Series 8050**

Back-Check Model 8051...8-1/2 lb. opening thru size 5  
Delayed Action Model 8052.....5 lb. opening thru size 4  
Basic Model 8053.....5 lb. opening thru size 4  
Basic Model 8054...8-1/2 lb. opening thru size 5

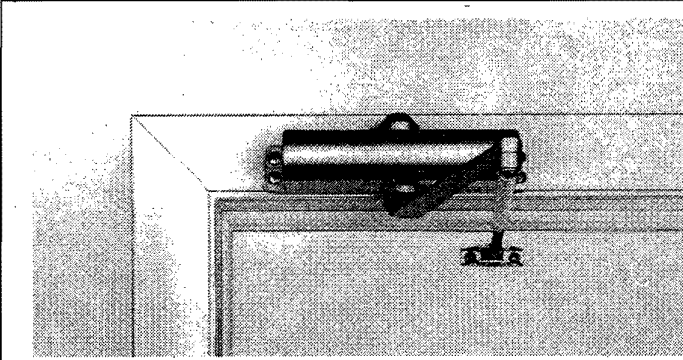


**No Hold-Open**  
Installation Instructions



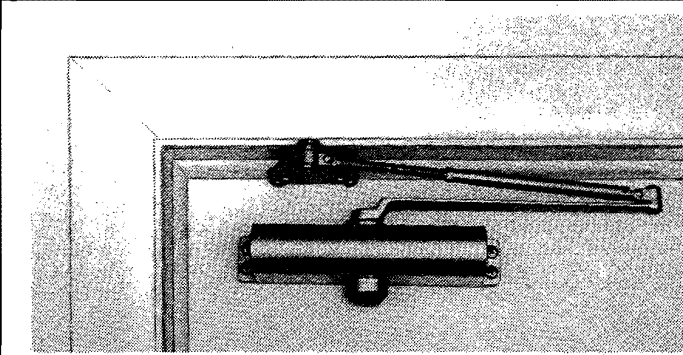
**STANDARD INSTALLATION**  
CLOSER MOUNTED ON DOOR  
ON PULL SIDE

PAGE 2



**TOP JAMB INSTALLATION**  
CLOSER MOUNTED ON TOP JAMB  
ON PUSH SIDE OF DOOR

PAGE 3



**PARALLEL ARM INSTALLATION**  
CLOSER MOUNTED ON DOOR  
ON PUSH SIDE

PAGE 4

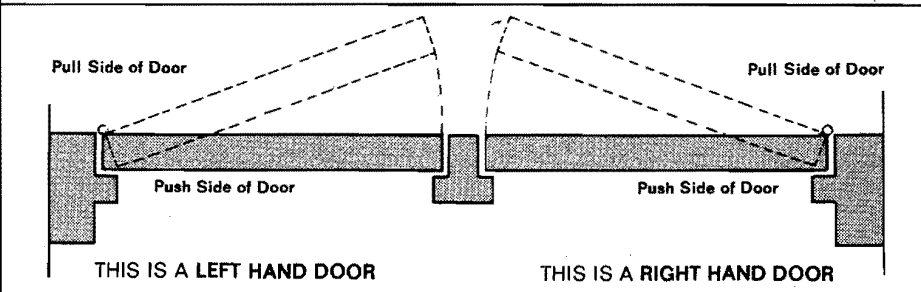


CHART  
TO DETERMINE  
HAND OF DOOR

COPYRIGHT 1995 INTERNATIONAL DOOR CLOSERS, INC.

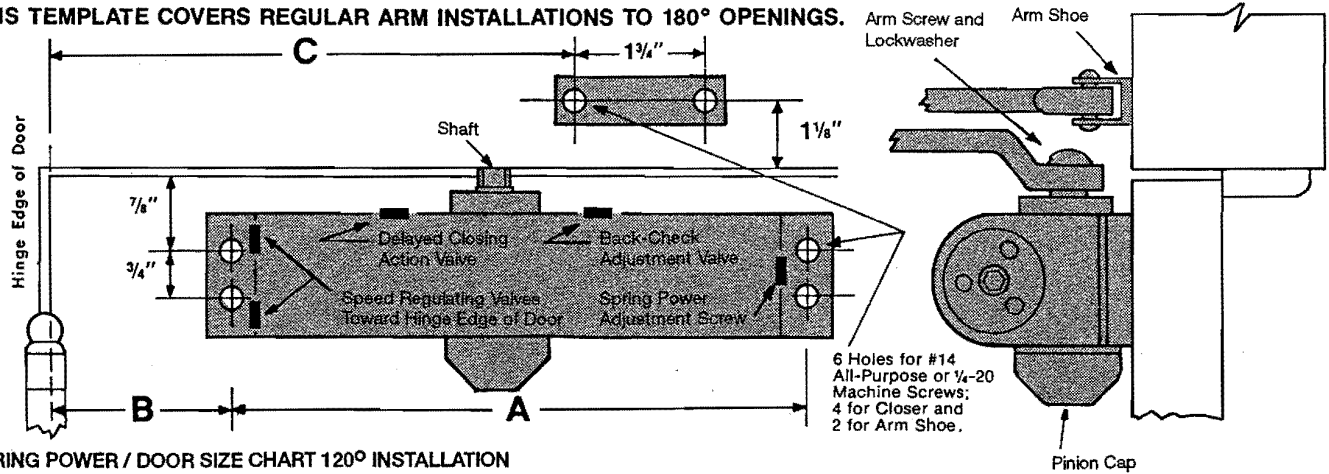


**EAST:**  
1920 Air Lane Drive • Nashville, TN 37210  
(615) 885-7060 • (800) 225-6737 • FAX: (615) 885-0903

**WEST:**  
1140 North Kraemer Place • Anaheim, CA 92806  
(714) 666-0390 • (800) 544-4422 • FAX: (714) 666-2215

# STANDARD INSTALLATION CLOSER MOUNTED ON DOOR ON PULL SIDE

THIS TEMPLATE COVERS REGULAR ARM INSTALLATIONS TO 180° OPENINGS.



SPRING POWER / DOOR SIZE CHART 120° INSTALLATION

8051 & 8054			
FULL TURNS OF SPRING ADJUSTMENT SCREW	MAXIMUM DOOR WIDTH		
	INTERIOR DOOR SIZE	EXTERIOR DOOR SIZE SWING OUT	EXTERIOR DOOR SIZE SWING IN
1	8 1/2 Pound Opening Force		
3	36"	32"	28"
6	42"	36"	32"
11	48"	42"	36"
17	54"	48"	42"
8052 & 8053			
FULL TURNS OF SPRING ADJUSTMENT SCREW	MAXIMUM DOOR WIDTH		
	INTERIOR DOOR SIZE	EXTERIOR DOOR SIZE SWING OUT	EXTERIOR DOOR SIZE SWING IN
1	5 Pound Opening Force		
6	36"	32"	28"
13	42"	36"	32"
19	48"	42"	36"

RIGHT HAND DOOR ILLUSTRATED. Same dimensions apply for Left Hand Door measured from hinge edge.

A	FOR OPENING TO 120°		FOR OPENING 120°-180°	
	B	C	B	C
9 1/16"	5 7/8"	12 1/16"	3 1/4"	8 7/8"

### INSTALLATION INSTRUCTIONS

1. Select degree of opening and use dimensions shown in above chart to mark four holes on door for closer and two holes on frame for arm shoe.
2. Drill pilot holes in door and frame for #14 all-purpose screws or drill and tap for 1/4-20 machine screws.
3. Mount closer on door with SPEED REGULATING VALVES TOWARD HINGE EDGE.
4. Place main arm on shaft on top of closer at proper index mark as illustrated. FOR RIGHT HAND DOOR No. 4 (Illustration "A"). FOR LEFT HAND DOOR No. 1 (Illustration "B"). Tighten arm screw with lockwasher securely.
5. Attach the arm shoe of the forearm to the frame.
6. Adjust length of forearm so when it is attached to main arm it will be at a right angle (90°) to door when door is closed and assemble at elbow then tighten locknut.

### ADJUSTMENT INSTRUCTIONS

**SPRING POWER** — is controlled by the Hex Socket Spring Adjustment Screw. Power is now set at "0" turns. To INCREASE, use a 5/32" Allen Key and turn CLOCKWISE "full" 360° turns as per the Spring Power/Door Size Chart above.



**SPEED** — Door closing speed is controlled by Regulating Valve No. 1. CLOCKWISE turns slow closing speed. COUNTERCLOCKWISE turns increase closing speed.



**LATCHING** — Latching action is controlled by Regulating Valve No. 2. CLOCKWISE turns slow latch speed. COUNTERCLOCKWISE turns increase latch speed.

**BACK-CHECK** — Model 8051 is controlled by the Back-Check Adjustment Valve marked BC on the closer. Back-Check is now set for a soft action. To INCREASE Back-Check action use a 5/32" Allen Key and turn valve CLOCKWISE.



**NOTE: Never close valve completely.** To DECREASE, or to TURN OFF Back-Check action use a 5/32" Allen Key and turn valve COUNTERCLOCKWISE.

BC

**DELAYED CLOSING ACTION** — Model 8052 is controlled by the Delayed Closing Action Adjustment Valve marked DA on the closer. To INCREASE Delayed Closing Action use a 5/32" Allen Key and turn valve CLOCKWISE.



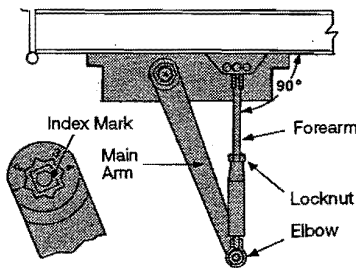
**NOTE: Never close valve completely.** To DECREASE Delayed Closing Action use a 5/32" Allen Key and turn valve COUNTERCLOCKWISE.

DA

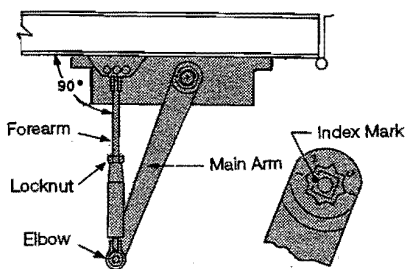
**POWER ARM SHOE** — is now set for average Power. If more Power is required, move Forearm from center hole in Arm Shoe to hole closest Main Arm. If less Power is required, move Forearm to hole farthest from Main Arm.

**PINION CAP** — Snap over shaft at bottom of closer.

### POSITION OF ARMS & INDEX SETTINGS



Right hand door, use index mark 4 ILLUSTRATION "A"

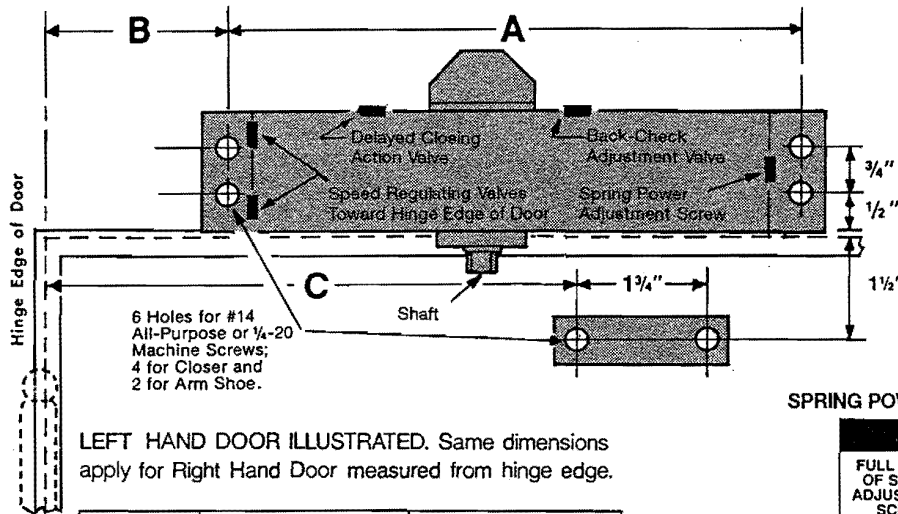


Left hand door, use index mark 1 ILLUSTRATION "B"

# TOP JAMB INSTALLATION CLOSER MOUNTED ON TOP JAMB ON PUSH SIDE OF DOOR

**THIS TEMPLATE COVERS REGULAR ARM INSTALLATIONS TO 180° OPENINGS.**

Reveals of 2¾" to 5½" require "Top Jamb" Forearm Extender Accessory and must be ordered extra.



6 Holes for #14 All-Purpose or ¼-20 Machine Screws; 4 for Closer and 2 for Arm Shoe.

**LEFT HAND DOOR ILLUSTRATED.** Same dimensions apply for Right Hand Door measured from hinge edge.

A	FOR OPENING TO 120°		FOR OPENING 120°-180°	
	B	C	B	C
9 <sup>1</sup> / <sub>16</sub> "	5 <sup>13</sup> / <sub>16</sub> "	12"	4 <sup>1</sup> / <sub>8</sub> "	10 <sup>5</sup> / <sub>16</sub> "

### INSTALLATION INSTRUCTIONS

- Select degree of opening and use dimensions shown in above chart to mark four holes on frame for closer and two holes on door for arm shoe.
- Drill pilot holes in door and frame for #14 all-purpose screws or drill and tap for ¼-20 machine screws.
- Mount closer on frame with **SPEED REGULATING VALVES TOWARD HINGE EDGE.**
- Place main arm on shaft on bottom of closer at proper index mark as illustrated. **FOR RIGHT HAND DOOR No. 4 (Illustration "B"). FOR LEFT HAND DOOR No. 1 (Illustration "A").** Tighten arm screw with lockwasher securely.
- Attach the arm shoe of the forearm to the door.
- Adjust length of forearm so when it is attached to main arm it will be at a right angle (90°) to door when door is closed and assemble at elbow then tighten locknut.

### ADJUSTMENT INSTRUCTIONS

**SPRING POWER** – is controlled by the Hex Socket Spring Adjustment Screw Power is now set at "0" turns.

To **INCREASE**, use a 5/32" Allen Key and turn **CLOCKWISE** "full" 360° turns as per the Spring Power/Door Size Chart above.



**SPEED** – Door closing speed is controlled by Regulating Valve No. 1. **CLOCKWISE** turns slow closing speed. **COUNTERCLOCKWISE** turns increase closing speed.



**LATCHING** – Latching action is controlled by Regulating Valve No. 2. **CLOCKWISE** turns slow latch speed. **COUNTERCLOCKWISE** turns increase latch speed.

**BACK-CHECK** – Model 8051 is controlled by the Back-Check Adjustment Valve marked BC on the closer. Back-Check is now set for a soft action. To **INCREASE** Back-Check action use a 5/32" Allen Key and turn valve **CLOCKWISE**.



**NOTE: Never close valve completely.** To **DECREASE**, or to **TURN OFF** Back-Check action use a 5/32" Allen Key and turn valve **COUNTERCLOCKWISE**.

**DELAYED CLOSING ACTION** – Model 8052 is controlled by the the Delayed Closing Action Adjustment Valve marked DA on the closer.

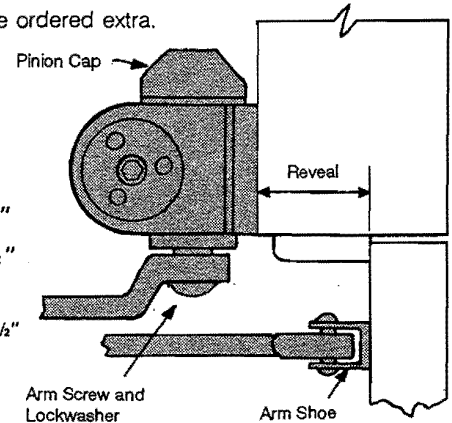
To **INCREASE** Delayed Closing Action use a 5/32" Allen Key and turn valve **CLOCKWISE**.



**NOTE: Never close valve completely.** To **DECREASE** Delayed Closing Action use a 5/32" Allen Key and turn valve **COUNTERCLOCKWISE**.

**POWER ARM SHOE** – is now set for average Power. If more Power is required, move Forearm from center hole in Arm Shoe to hole closest Main Arm. If less Power is required, move Forearm to hole farthest from Main Arm.

**PINION CAP** – Snap over shaft at top of closer.



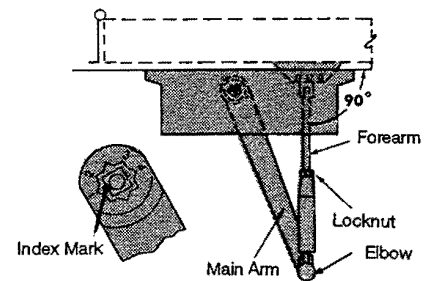
### SPRING POWER / DOOR SIZE CHART 120° INSTALLATION

FULL TURNS OF SPRING ADJUSTMENT SCREW	8051 & 8054		
	MAXIMUM DOOR WIDTH		
	INTERIOR DOOR SIZE	EXTERIOR DOOR SIZE SWING OUT SWING IN	
1	8½ Pound Opening Force		
3	36"	32"	28"
6	42"	36"	32"
11	48"	42"	36"
17	54"	48"	42"

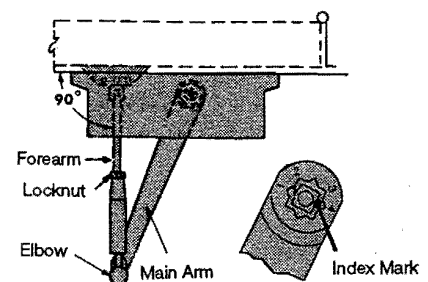
  

FULL TURNS OF SPRING ADJUSTMENT SCREW	8052 & 8053		
	MAXIMUM DOOR WIDTH		
	INTERIOR DOOR SIZE	EXTERIOR DOOR SIZE SWING OUT SWING IN	
1	5 Pound Opening Force		
6	36"	32"	28"
13	42"	36"	32"
19	48"	42"	36"

### POSITION OF ARMS & INDEX SETTINGS



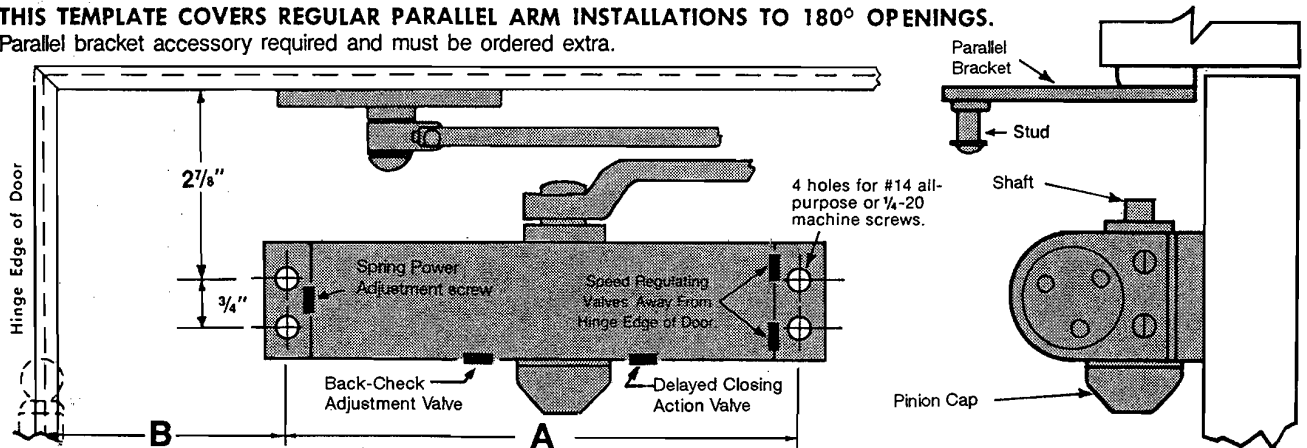
Left hand door, use index mark 1  
ILLUSTRATION "A"



Right hand door, use index mark 4  
ILLUSTRATION "B"

# PARALLEL ARM INSTALLATION CLOSER MOUNTED ON DOOR ON PUSH SIDE

**THIS TEMPLATE COVERS REGULAR PARALLEL ARM INSTALLATIONS TO 180° OPENINGS.**  
Parallel bracket accessory required and must be ordered extra.



**SPRING POWER / DOOR SIZE CHART 120° INSTALLATION**

8051-P & 8054-P			
FULL TURNS OF SPRING ADJUSTMENT SCREW	MAXIMUM DOOR WIDTH		
	INTERIOR DOOR SIZE	EXTERIOR DOOR SIZE SWING OUT SWING IN	
1	8 1/2 Pound Opening Force		
3	32"	28"	24"
6	36"	32"	28"
11	42"	36"	32"
17	48"	42"	36"

8052-P & 8053-P			
FULL TURNS OF SPRING ADJUSTMENT SCREW	MAXIMUM DOOR WIDTH		
	INTERIOR DOOR SIZE	EXTERIOR DOOR SIZE SWING OUT SWING IN	
5	5 Pound Opening Force		
8	32"	28"	24"
11	36"	32"	28"
17	42"	36"	32"
19	MAXIMUM TURNS		

LEFT HAND DOOR ILLUSTRATED. Same dimensions apply for Right Hand Door measured from hinge edge.

A	FOR OPENING TO 120°		FOR OPENING 120°-180°	
	B	C	B	C
9 1/16"	7 15/16"	8 5/8"	6 7/16"	7 1/8"

### INSTALLATION INSTRUCTIONS

- Select degree of opening and use dimensions shown in above chart to mark four holes on door for closer and four holes on frame for parallel bracket.
- Drill pilot holes in door and frame for #14 all-purpose screws or drill and tap for 1/4-20 machine screws.
- Mount closer on door with SPEED REGULATING VALVES AWAY FROM HINGE EDGE.
- Attach parallel bracket to door stop as illustrated.
- Using a wrench on the square shaft at bottom of closer, rotate shaft approximately 45° toward hinge edge of door. Hold and place main arm on shaft on top of closer at proper index mark as illustrated. FOR LEFT HAND DOOR No. 3 (Illustration "A"). FOR RIGHT HAND DOOR No. 2 (Illustration "B"). Tighten arm screw with lockwasher securely.
- Remove the arm shoe from the forearm (arm shoe is not used in this application) and place forearm on parallel bracket stud and tighten screw with lockwasher securely.
- Adjust length of forearm so when it is attached to main arm, the main arm will be slightly away from parallel with closed door, and assemble at elbow then tighten locknut.

### ADJUSTMENT INSTRUCTIONS

**SPRING POWER** — is controlled by the Hex Socket Spring Adjustment Screw. Power is now set at "0" turns.

To INCREASE, use a 5/32" Allen Key and turn CLOCKWISE "full" 360° turns as per the Spring Power/Door Size Chart above.



**SPEED** — Door closing speed is controlled by Regulating Valve No. 1. CLOCKWISE turns slow closing speed. COUNTERCLOCKWISE turns increase closing speed.



**LATCHING** — Latching action is controlled by Regulating Valve No. 2. CLOCKWISE turns slow latch speed. COUNTERCLOCKWISE turns increase latch speed.



**BACK-CHECK** — Model 8051 is controlled by the Back-Check Adjustment Valve marked BC on the closer. Back-Check is now set for a soft action.

To INCREASE Back-Check action use a 5/32" Allen Key and turn valve CLOCKWISE. NOTE: Never close valve completely. To DECREASE, or to TURN OFF Back-Check action use a 5/32" Allen Key and turn valve COUNTERCLOCKWISE.

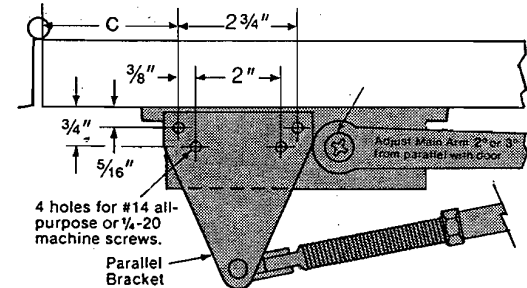


**DELAYED CLOSING ACTION** — Model 8052 is controlled by the the Delayed Closing Action Adjustment Valve marked DA on the closer.

To INCREASE Delayed Closing Action use a 5/32" Allen Key and turn valve CLOCKWISE. NOTE: Never close valve completely. To DECREASE Delayed Closing Action use a 5/32" Allen Key and turn valve COUNTERCLOCKWISE.



**PINION CAP** — Snap over shaft at bottom of closer.



### POSITION OF ARMS & INDEX SETTINGS

