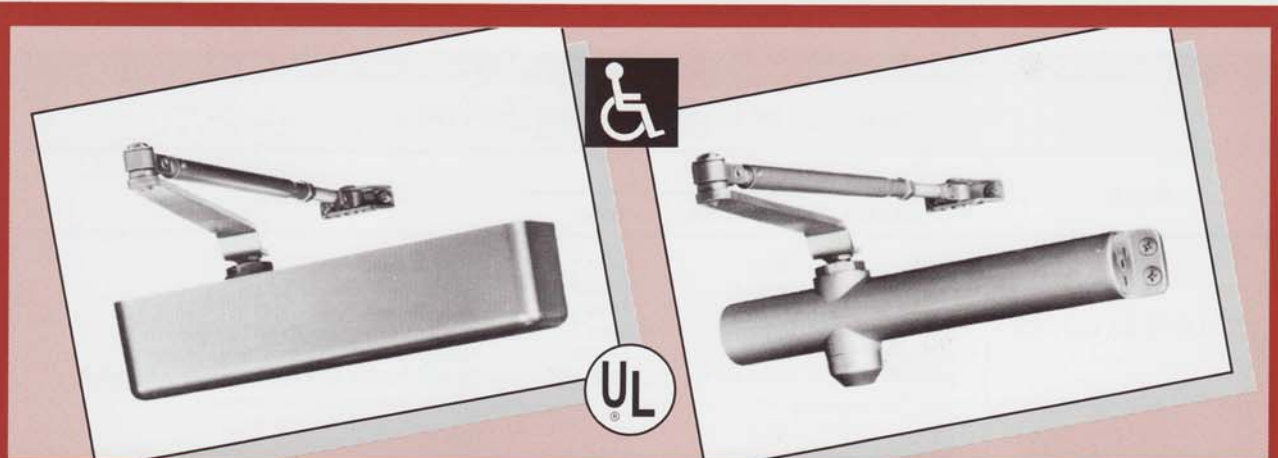


WITH DRESS COVER

Series 5000

NO DRESS COVER

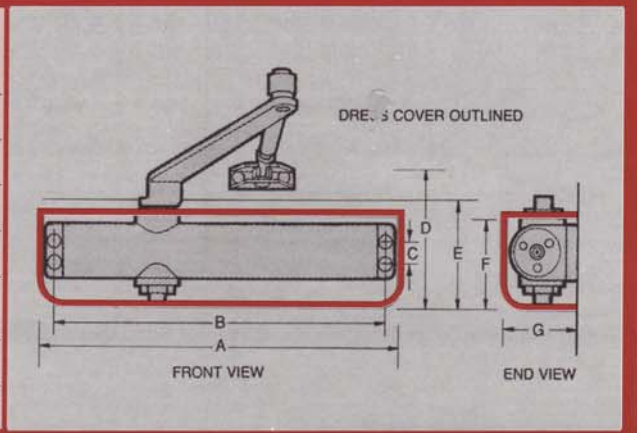
Series 5050

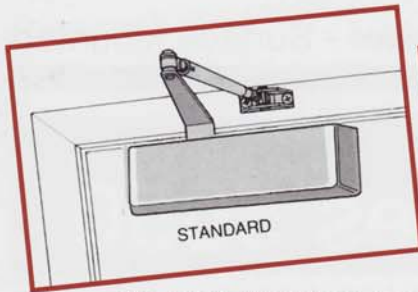


FEATURES

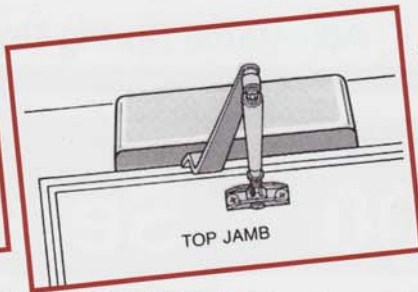
- Underwriters' Laboratories Inc. Listed.
- ADA (Handicap) multi-sized closers with adjustable spring power for a range of sizes adjustable after installation:
 - 5001 & 5051 . . . 8¹/₂ lb. opening force to a size 5
 - 5002 & 5052 5 lb. opening force to a size 4
 - 5003 & 5053 5 lb. opening force to a size 4
- **CLOSER FUNCTIONS:**
 - 5001 & 5051; adjustable spring power with adjustable Back-Check controlled by a separate regulating valve, adjustable after installation.
 - 5002 & 5052; adjustable spring power with adjustable delayed closing action controlled by a separate regulating valve, adjustable after installation.
 - 5003 & 5053; Basic-adjustable spring power only.
- Two Speed Control Valves: Closing and Latching speeds controlled by separate regulating valves, adjustable after installation.
- Universal application. Non-handed for standard, top jamb or parallel arm installation.
- Series 5000 furnished with dress cover. Series 5050 without dress cover has a narrow design permitting installation on most modern glass and aluminum doors without adaptors.
- Rack and pinion mechanism contained in a high tensile precision cast aluminum housing.
- Stable hydraulic door check fluid for any climatic operation and constant lubrication.
- Furnished with regular, hold-open or fusible link hold-open arms.
- Hold-open arms are adjustable for holding from 90° to 180°
- Attractive "automotive type" finishes:
 - AL - Aluminum
 - BZ - Hardware Bronze (Gold)
 - DU - Storefront Bronze

DESCRIPTION		WITH DRESS COVER	NO DRESS COVER
Length of Closer	A	13"	12 ¹¹ / ₁₆ "
Horizontal Mounting Holes	B	12"	12"
Vertical Mounting Holes	C	3/4"	3/4"
Overall Height	D	5 ¹ / ₈ "	5 ¹ / ₁₆ "
Top of Door to Bottom of Closer	E	3 ¹ / ₂ "	3 ⁷ / ₁₆ "
Height of Closer	F	3"	2 ⁷ / ₈ "
Projection from Door	G	2 ⁵ / ₁₆ "	2 ³ / ₁₆ "

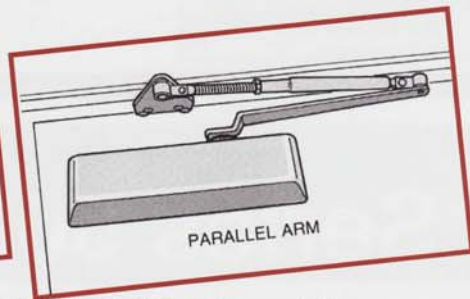




STANDARD



TOP JAMB



PARALLEL ARM

TYPICAL INSTALLATIONS (REGULAR ARMS SHOWN) Hold-Open Arms and Fusible Link Hold-Open Arms are similar

SCHEDULE OF STYLES, MODELS AND TYPES

STYLE	MODEL NO.			TYPE
	BACK-CHECK	DELAYED ACTION	BASIC	
WITH DRESS COVER	5001 5001-P 5101 5101-P 5101-F 5101-PF	5002 5002-P 5102 5102-P 5102-F 5102-PF	5003 5003-P 5103 5103-P 5103-F 5103-PF	Regular Arm Parallel Arm Hold-Open Arm Parallel Hold-Open Arm Fusible Link Hold-Open Arm (handed) Parallel Fusible Link Hold-Open Arm (handed)
NO DRESS COVER	5051 5051-P 5151 5151-P 5151-F 5151-PF	5052 5052-P 5152 5152-P 5152-F 5152-PF	5053 5053-P 5153 5153-P 5153-F 5153-PF	Regular Arm Parallel Arm Hold-Open Arm Parallel Hold-Open Arm Fusible Link Hold-Open Arm (handed) Parallel Fusible Link Hold-Open Arm (handed)

NOTE: Doors of unusual height or weight, or doors subject to severe wind or draft conditions, or abusive usage require one or two more full turns of hex spring adjustment nut than shown on the installation instructions.

SPECIFY:
Closer Model or Part Number

SPECIFY FINISH:
AL - Aluminum
BZ - Hardware Bronze (Gold)
DU - Storefront Bronze

SPECIFY:
"RH" or "LH" - for all Fusible Link Hold-Open Arms.

WARRANTY:
Refer to inside front cover.

PARTS AND ACCESSORIES - SERIES 5000 AND 5050

Main Arm		Part #	520	Parallel Bracket - for Hold-Open or Fusible Link Hold-Open Arm		Part #	526
Regular Forearm		Part #	521	Flat Drop Bracket for Closers - With Dress Cover		Part #	5007
Hold-Open Forearm		Part #	522	Flat Drop Bracket for Closers - No Dress Cover		Part #	5057
Fusible Link Hold-Open Forearm (handed)		Part #	523	Top Jamb Bracket for Closers - With or Without Dress Cover		Part #	5058
Top Jamb Forearm Extender		Part #	514	Dress Cover		Part #	DC-5000
Parallel Bracket for Regular Arm		Part #	525	Thru Bolt and Grommet Nut (Set of 4 each)		Part #	TBGN-50



EAST:
1920 Air Lane Drive • Nashville, TN 37210
(615) 885-7060 • (800) 225-6737 • FAX: (615) 885-0903

WEST:
1140 North Kraemer Place • Anaheim, CA 92806
(714) 666-0390 • (800) 544-4422 • FAX: (714) 666-2215