

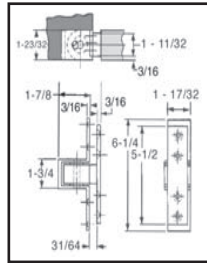


MISC.HARDWARE

SPECIAL PIVOTS

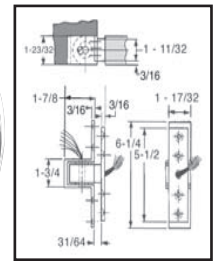
For use on pocket door applications.

0519



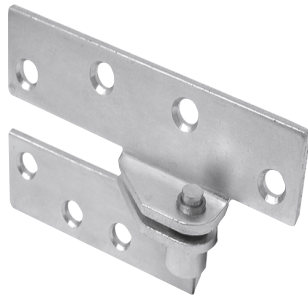
- For door weight to 270 lbs., use (3) 0519
- For door weight to 360 lbs., use (4) 0519
- Non-handed, full mortise
- Listed for fire doors on 3 hour "A" label, and 20 minute wood doors
- Needle bearings supplied standard
- Available in most architectural finishes including US32D
- 90 degree max. door swing

E0519



- For Power Transfer
- For door weight to 270 lbs., use (3) 0519
- For door weight to 360 lbs., use (4) 0519
- Non-handed, full mortise
- 90 degree max. door swing
- (8) 28ga. wires supplied standard

0923 REINFORCING PIVOT



- Handed (indicate when ordering)
- Full Surface Reinforcing Pivot for 1/8" inset doors hung on 4-1/2" pivots with 3/4" to centerline of pivot.
- A solution to the problems of hinge or reinforcement failure resulting in sagging doors, loose screws, pulled out knuckles or split wood.
- Easy on-site installation for maintenance personnel
- For use on doors up to 300#
- Allows for 1/8" inset from face of door to face of frame
- US2G Galvanized Finish
- Supplied with all required fasteners. Security fasteners optional

1811 VERTICAL ROD PROTECTOR



- Assist in handicap conformance
- Use in hospitals, schools, etc.
- Installs with #6 x 3/4" screws directly into the door
- Installs on any type of wood, metal or plastic door, any thickness. Covers the latching bolt and lower portion of the vertical rod assembly
- Fire rated
- Stainless Steel, Satin Finish
- 1811 - for pairs of doors - 24" rod cover standard (custom lengths available)
- 1812 - Right hand single unit } 24" rod cover standard (custom lengths available)
- 1813 - Left hand single unit }
- Latch bolt cover - 2 1/8" projection (2-1/16" interior clearance)
- Rod cover - 1 1/16" projection (1" interior clearance)

PIVOTS, STRIKES AND STOPS (con't)

1880 SLIDE BOLT PADLOCK LATCH



Patent Pending



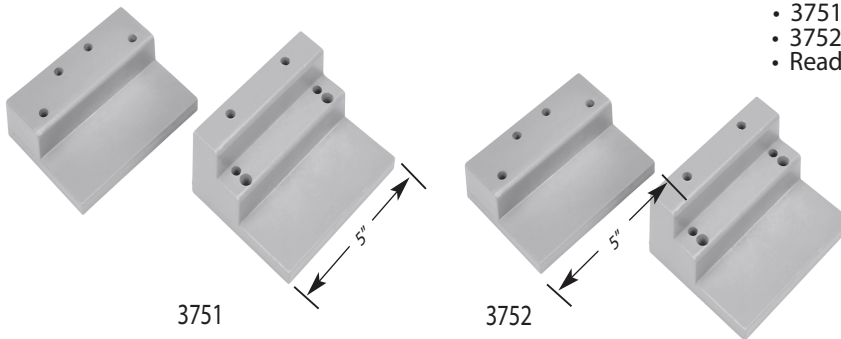
T-Strike



ASA Strike

- Ideal for lockers and temporary locking situations
- Stainless steel assembly
- Non-handed reversible with built-in fail safe
- Fits standard 160 or 161 prep in 1-3/4" or 1-3/8" doors
- Standard T-strike or ASA strike available
- For use with 3/8" diameter padlock (not provided)
- Model 1884 for 2-3/4" backset (161 prep)
- Model 1888 for 2-3/8" backset (160 prep)

3751 / 3752 MOUNTING BRACKETS



3751

3752

- For stop mounted hardware
- 3751 for Stop widths up to 2-1/2"
- 3752 for Stop widths over 2-1/2"
- Ready to paint aluminum, plated finishes available



PIVOTS, STRIKES AND STOPS (con't)

1801 APPLIED STOP



- For use with single or double doors without stops
- Available in all BHMA finishes
- Supplied with machine & woodscrews

1802 SPECIAL DOOR SILENCER



- For metal doors
- 1/4" Projection
- Grey
- Available in bags of 100 or bulk pack

1803 FLOOR STOPS



- 1803 2" diameter x 1-3/8" high bumper rod 5/8" diameter x 3" long
- H1803 4" diameter x 1-3/8" high bumper rod 5/8" diameter x 3" long
- HD1803 Bumper diameter x height as required rod 1-1/4" diameter x 18" long
- EHD1803 3-1/4" diameter x 2" high bumper rod 5/8" diameter x 3" long

- For use in high abuse areas
- Ideal for correctional facilities, schools, institutions
- No exposed fasteners
- Installed with quick set cement

1803HO FLOOR STOP & HOLDER



- Ideal for high abuse installations like schools, heavy doors and correctional facilities.
- Installed with quick set cement
- door is hooked to floor portion with a stainless steel hook

1804 PIPE STOP & HOLDER



- Heavy duty construction for use in schools, institutions and correctional facilities
- All stainless steel components with rubber bumper
- The rubber bumper on the door hits the floor portion when used as a stop
- Door is hooked to floor portion with stainless steel hook when used as holder
- Floor portion secured in cement
- Door portion - installed with (4) #8 x 1-1/4" screws (supplied standard), six bolts optional
- Floor portion is solid 1" diameter x 1' long stainless steel rod



PIVOTS, STRIKES AND STOPS (con't)

DUST PROOF STRIKES



1870

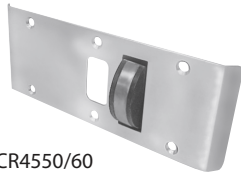


1872

1870 FOR DOORS WITHOUT THRESHOLDS
1872 FOR DOORS WITH THRESHOLDS

- For use with any ABH flush bolts
- Prevents dirt, dust and debris from clogging floor strikes

COMBO DOUBLE LIPPED STRIKE AND RESCUE STOP



CR4550/60

- For 5-3/4" and 6-3/4" frame with 1-3/4" door
- To be used with ABH 0127 or 0128 center hung pivot sets. Ideal for hospital or nursing home bathroom doors. Stop can be rotated into frame to allow center hung or 1/8" inset double acting doors to swing out in case of emergency.
- Available in US32D, US32, US3, US4, US10B.
- For other finishes, contact factory. .093 thick material
- Meets ANSI A1882 Non-handed



CR4570/80



CR4591/92

- For Center Hung Doors
CR4550/CR4591 5-3/4" x 2-3/4"
CR4560/CR4592 6-3/4" x 2-3/4"
- For 1/8" Inset Door
CR4570/CR4594 5-3/4" x 2-3/4"
CR4580/CR4593 6-3/4" x 2-3/4"
- Custom sizes available
 - Holdback option available (CR4550,60,70,80 only) - (handed)



CR4594/93

4590 RESCUE STOP



For Converting a double acting center hung door to single acting

- Allows door to swing open in opposite direction if a hospital or nursing home patient falls and obstructs the normal swing of the door
- Meets ANSI Spec A1882
- Stainless steel, US32D standard
- Pushing in on the spring loaded stop allows emergency operation of the door. Stop automatically returns to normal position when released

