

DH-6000

HEAVY DUTY KICK DOWN HOLDER



Model DH-6000

Features

- Zinc Alloy Construction
- Non-Marking Rubber Tip
- 7" Body Height
- Mounting Screws Included:
 - (2) #10 x 1-1/2" Flat Head Wood / Sheet Metal Screws
 - (1) #10 x 1/2" Flat Head Wood / Sheet Metal Screws
 - (2) #10 x 1-1/2" Self Drilling / Self Tapping Screws
 - (1) #10 x 1/2" Self Drilling / Self Tapping Screws
- Weight 1lb.
- Finishes Available:
 - AL - Aluminum
 - DU- Storefront Bronze

MODEL DESCRIPTION

PRODUCT

DESCRIPTION

PART NUMBER



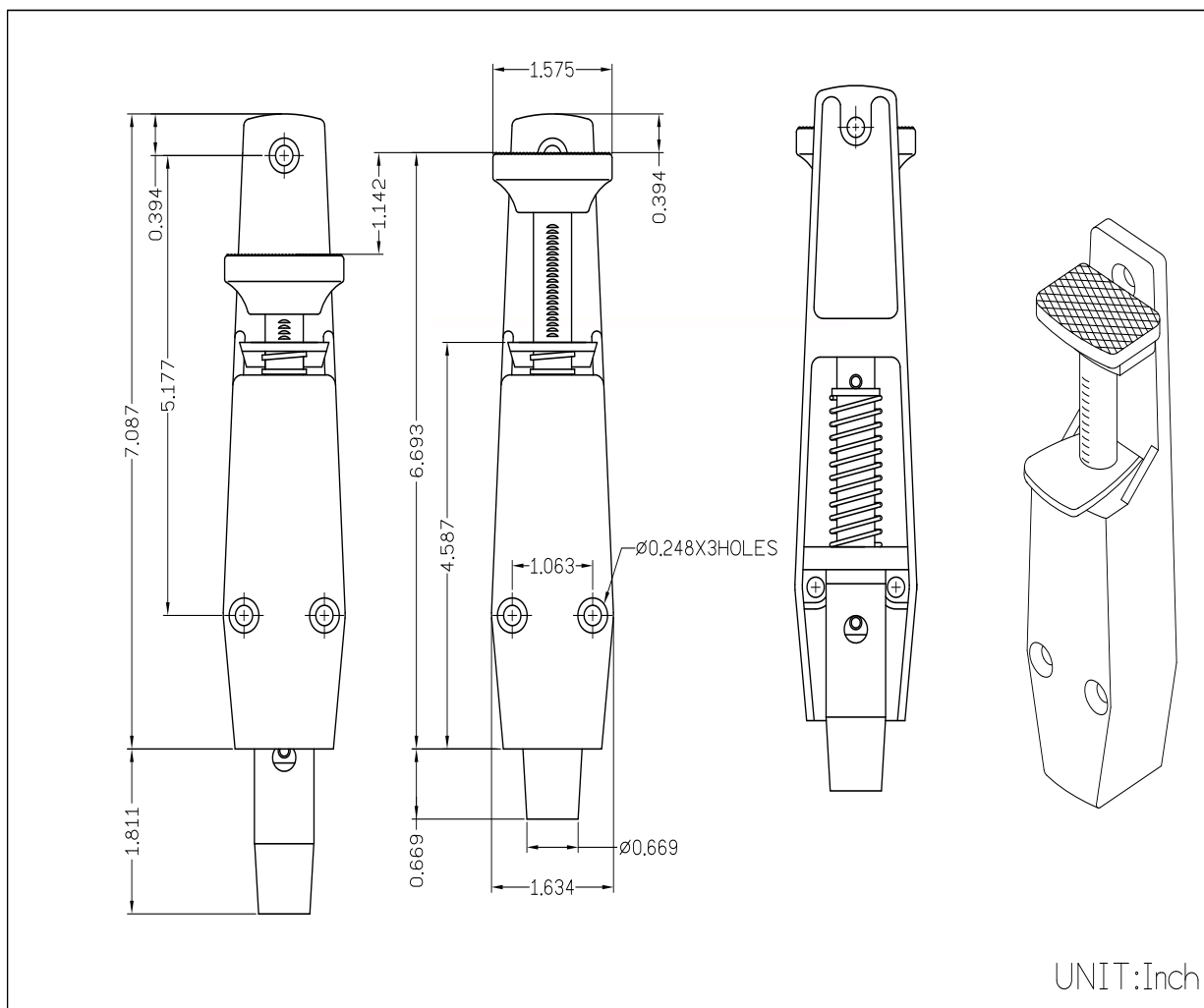
Replacement Rubber Tip

DH-6000-TIP

TECHNICAL DATA

Front View

Back View



International[®]
door closers inc
SINCE 1968

Visit our website: intldoorclosers.com

EAST:
1920 Air Lane Drive • Nashville, TN 37210
(615) 885-7060 • (800) 225-6737 • FAX: (615) 885-0903

WEST:
1140 North Kraemer Place • Anaheim, CA 92806
(714) 666-0390 • (800) 544-4422 • FAX: (714) 666-2215