



HEAVY DUTY CONTINUOUS HINGES

ALUMINUM FULL SURFACE GEARED HINGES



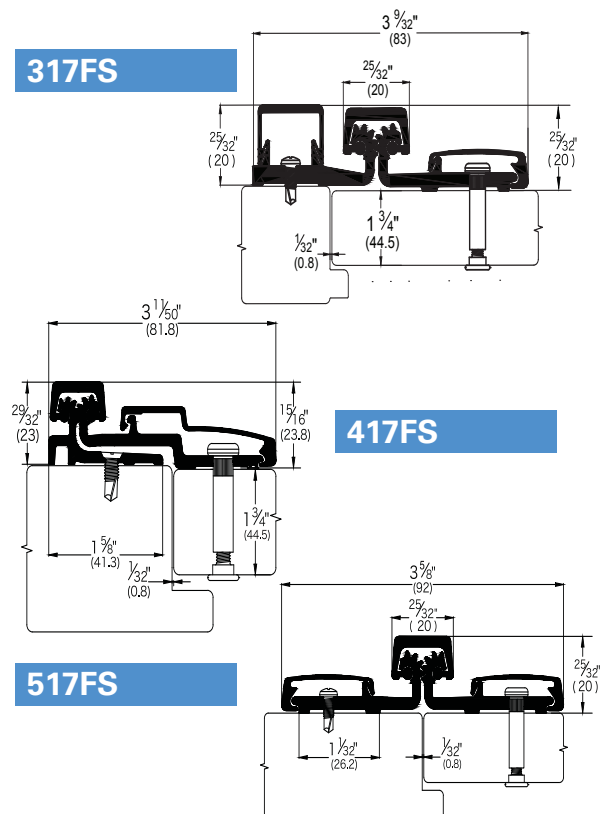
FULL SURFACE HINGES

- Any Door Material
- Heavy Duty for high frequency 1 3/4" doors or heavy medium frequency doors up to 450lbs.
- 317FS (Heavy Duty), 417FS (Heavy Duty), 517FS (Heavy Duty)

MODEL		LENGTH		SCREW COUNT		CLEARANCE
C (Clear Anodized)	D (Duro Anodized)	IN	CM	DOOR	JAMB	
317FSC-83	317FSD-83	83	210.8	19	19	1/32" (1mm) minimum recommended for hinge side plus standard lockside clearance
317FSC-95	317FSD-95	95	241.3	20	20	
317FSC-120	317FSD-120	120	304.8	26	26	
417FSC-83	417FSD-83	83	210.8	19	19	1/32" (1mm) minimum recommended for hinge side plus standard lockside clearance 1 5/8" (41mm) minimum frame face required plus 3/16" (5mm) rotational clearance
417FSC-95	417FSD-95	95	241.3	20	20	
417FSC-120	417FSD-120	120	304.8	26	26	
517FSC-83	517FSD-83	83	210.8	19	19	1/32" (1mm) minimum required between doors
517FSC-95	517FSD-95	95	241.3	20	20	
517FSC-120	517FSD-120	120	304.8	26	26	

*Note: First 3 numbers = (Product #), FS = (Full Surface), C or D = (Finish), 83, 95 & 120 = (Length)

FASTENERS: (Self-Tapping Screws)	FRAME PORTION <ul style="list-style-type: none"> • All fasteners as No. 12-24 x 1/16" Type C, FHUC - Heavy Duty Hinges - 10 required for each leaf DOOR PORTION <ul style="list-style-type: none"> • Thurbolt 1/4-20 x 1 5/8" PCH - Heavy Duty Hinges - 6 required for each leaf • Shoulder bolt 1/4 - 20 x 1" PCH - Heavy Duty Hinges - 6 required • Pan Head Self Drilling No. 12 x 3/4" - Heavy Duty Hinges - 4 required
LENGTH OPTIONS:	83", 95" & 120"
DOOR REINFORCEMENT:	<ul style="list-style-type: none"> • None needed
FRAME REINFORCEMENT:	<ul style="list-style-type: none"> • None needed to 200 lbs • Use 16 gauge channel over 200 lbs
FIRE RATING:	Up to 3 Hours
SPECIAL FEATURES:	<ul style="list-style-type: none"> • Replacement for existing doors and frames • 7/8" minimum frame • 1/16" inset
STANDARD FINISHES:	<ul style="list-style-type: none"> • C (Clear Anodized Aluminum), D (Duro Anodized Aluminum)
SPECIAL ORDER FINISHES:	<ul style="list-style-type: none"> • PW (Painted White), G (Gold Anodized Aluminum), BL (Black Anodized Aluminum)



International Door Closers, Inc.

COPYRIGHT 2017 INTERNATIONAL DOOR CLOSERS, INC

West: 800-544-4422 • East: 800-225-6737

www.intldoorclosers.com