



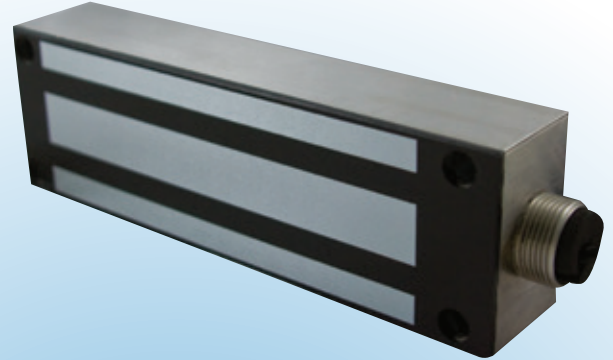
SLIDING • SWINGING GATES • HIGH SECURITY DOORS

# WR MAGLOCKS

UL LISTED WEATHER RESISTANT

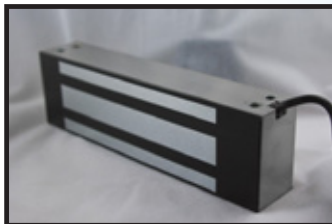
## FEATURES

- Built-in remote lock status sensor – ideal for remote monitoring
- Available in a front mount model with a ¾ inch male universal threaded conduit fitting and a side mount model for swinging doors and gates.
- No residual magnetism
- Field selectable 12 or 24 VDC
- Built-in surge protection
- UL and ULC Listed for use on fire rated doors for up to 1½ hours

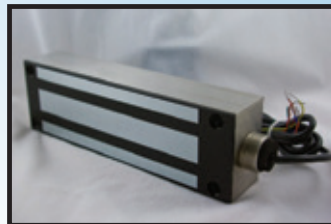


Designed with a rugged stainless steel housing, these electromagnetic locks are the ideal solution for sliding and swinging gates and high security doors.

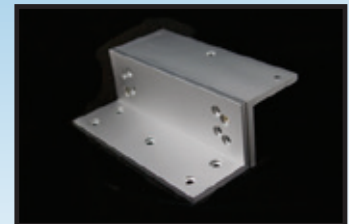
## FAMILY OF PRODUCTS



10GL1200SR  
1200LB – SIDE MOUNT



10GL1200R  
1200LB – FRONT MOUNT



10LZBRGATE1200  
L & Z MOUNTING BRACKETS

**International Door Closers, Inc.**

COPYRIGHT 2017 INTERNATIONAL DOOR CLOSERS, INC

**West: 800-544-4422 • East: 800-225-6737**

**www.intldoorclosers.com**

## TECHNICAL SPECIFICATIONS

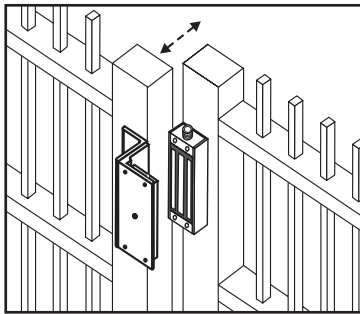
### 10GL1200R (Front Mounted)

Certifications	Holding Force	Dimensions (LxHxD)	Input Voltage	Current Draw	Contact	Rating Cable Spec	Housing Material
NEMA 4 UL / ULC Listed	1200 lb	8.75" x 2.5" x 1.625"	12 or 24 VDC	500 mA @ 12 VDC 250 mA @ 24 VDC	0.250 A @ 12 V 0.125 A @ 24 V	24 AWG 7 conductor; 3.5 ft	Stainless Steel

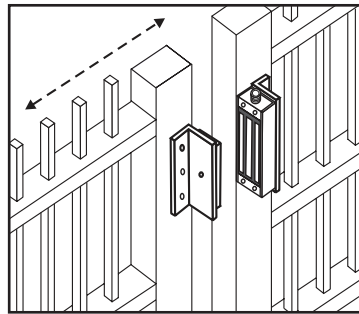
### 10GL1200SR (Side Mounted)

Certifications	Holding Force	Dimensions (LxHxD)	Input Voltage	Current Draw	Contact	Rating Cable Spec	Housing Material
NEMA 4 UL / ULC Listed	1200 lb	8.75" x 2.5" x 1.625"	12 or 24 VDC	500 mA @ 12 VDC 250 mA @ 24 VDC	0.250 A @ 12 V 0.125 A @ 24 V	24 AWG 7 conductor; 9.5 ft	Stainless Steel

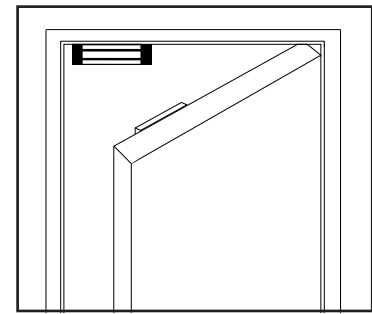
## APPLICATIONS



**SWINGING APPLICATIONS**  
10GL1200R with Z-Bracket  
mounting option



**SLIDING APPLICATIONS**  
10GL1200R with L-Bracket  
mounting option



**SWINGING APPLICATIONS**  
10GL1200SR mounted on a  
standard outswinging door

- Ideal for outswinging perimeter doors requiring additional protection
- Suitable for use in washdown and other harsh environments
- All internal electronics are sealed (NEMA 4 Enclosure)

## RELATED PRODUCTS



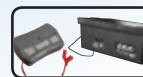
**Maglocks**  
UL Listed, electromagnetic locks offer the ultimate protection for most access control applications



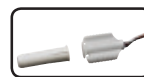
**Delayed Egress**  
All-in-One Maglock kit for single outswinging doors. UL / ULC Listed, LED Status, 12 / 24 VDC, 1200 lb



**RF-433**  
433 MHz digital receivers and transmitters with sequencing function



**RF-390**  
390 MHz digital radio receiver & transmitters replace dip switches with a "learn" button



**Door Position Switches**  
Series of magnetic switches for swinging door applications



**Push Buttons**  
Access Control push solution for any indoor application



**MS08U**  
Touchless Push Plate utilizing microwave motion technology



**Rim/Exit Strikes**  
UL / ULC Listed, surface mount electric strike



**Cylindrical Strikes**  
UL / ULC Listed, low profile, all-in-one, universal electric strike



**R2E-100**  
UL / ULC Listed, Active Infrared, Request To Exit Detector designed for access control applications

**International Door Closers, Inc.**

COPYRIGHT 2017 INTERNATIONAL DOOR CLOSERS, INC

**West: 800-544-4422 • East: 800-225-6737**

**www.intldoorclosers.com**