



FLOOR SPRINGS

ST80 SERIES

ADJUSTABLE • LARGE AND HEAVY DOOR

FEATURES

- Closing from 175° in both door swing directions with hydraulic control from 170°.
- Three thermodynamic valves for consistent performance.
- Adjustable closing speed (175°-15°) and latching speed (15°- 0°) from top regulating valves.
- Adjustable hold-open or delay action angle 80°- 175°.
- Cast iron body
- Cement box in hot zinc plated.
- Universal cover plate in stainless steel.
- Extended spindle.



Floor spring with adjustable closing force for large and very heavy doors. Certified compliance with EN 1154 Adjustable size 3-6 or fixed 4, 5, 6 Suitable for fire and smoke protection doors (No fire test conducted yet) For double and single action door up to 661lbs

THE ADVANTAGES OF A GLANCE

Project Planners	Extensive range of uses: Fire and smoke protection doors as well as standard doors. Variable hold open between 80°-175° or delay action. Independent closing and latching valve for easy control. Variety of available spindles: square Italian, square French, rectangular German. Architectural finishes: cover plate in polished stainless steel, satin stainless steel, polished brass.
Builders	Universal for left/right handed and double action doors. Over pressure relief valve to protect unit against abuse. Large range of adjustment within cement box to solve possible alignment problems on the site without taking down the door. Meet door weight up to 661lbs.
Traders	Reduced inventory costs due to modular product range. One single product suitable for a large variety mounting positions. Complementary accessories available for the whole product range. Extensive interchangeable.
User	Adjustable operating force to meet door construction requirements and user needs. Easier door opening and improved accessibility due to Gam-Motion technology. Backcheck feature offers optimum protection for doors and walls, Independent closing and latching valve for easy control variable hold open range

International Door Closers, Inc.

COPYRIGHT 2014 INTERNATIONAL DOOR CLOSERS, INC

West: 800-544-4422 • East: 800-225-6737

www.intldoorclosers.com

TECHNICAL ATTRIBUTES

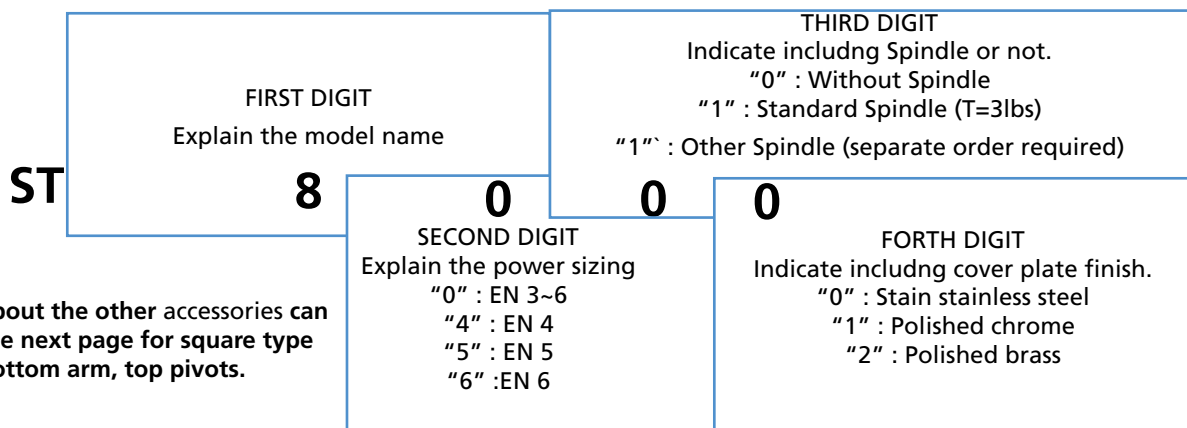
ST80

ST80p

Spring Strength (EN)		4	5	6	3~6
Spring strength adjustment		-	-	-	•
Standard and external doors	≤ 950mm	-	-	-	-
	≤ 1100mm	•	-	-	•
	≤ 1250mm	-	•	-	•
	≤ 1400mm	-	-	•	•
Max. leaf weight(lbs)		661			
Non-Handed		•			
Single and Double action doors		•			
Closing speed adjustable by valve	175°-85°	•			
	85°-15°	•			
	15°-0°	•			
Backcheck(Mechanical)		•			
Delayed action adjustable by valve (Selectable alternative to the hold-open feature)		•			
Hold-open	Adjustable	•			
Weight(lbs)		19			
Dimensions in mm	Length	341			
	Width	78			
	Height	60			
Floor spring tested to EN 1154		•	o	o	•
CE mark for building products (Products with factory- fitted hold- open do not carry a CE mark)		-	-	-	-
ANSI 156.4 Grade 1		•	-	-	*

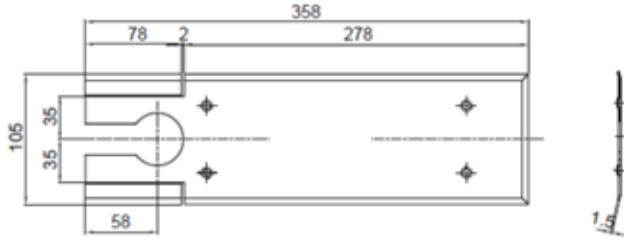
HOWTO ORDER

PREFIXES



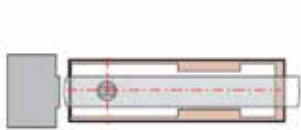
Note,
Information about the other accessories can be found in the next page for square type spindle and bottom arm, top pivots.

COVER PLATE

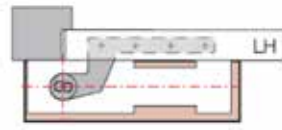


Adaptable to right or left hand single action applications by simply snapping off the appropriate pre-blanked corner sections. For double action doors the corner sections remain in place

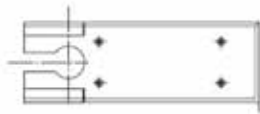
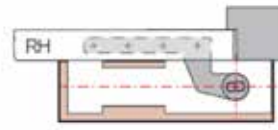
APPLICATION AND INSTALATION



Double action door mounting



Single action door mounting

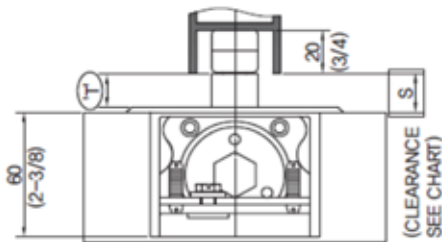


Application for LH offset pivoted door



Application for RH offset pivoted door

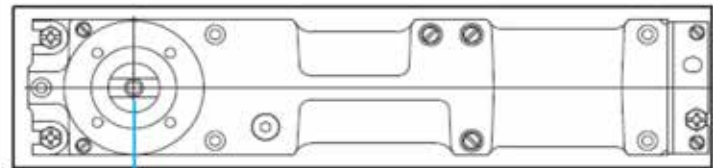
SPINDLE



A range of interchangeable spindles is available to provide greater floor clearance if required (e.g. door with thresholds carpeted doors etc.)

Special spindles available on application: e.g. with flat face profile and 3-offset or square section ; spindles for MAS specific accessory also available.

Calculating the necessary length of spindle extension:
 Extension S: Floor clearance (normally 8mm)
 Collar height T of extended spindle inserts: Spindle extension length : 3mm (collar height of the standard spindle insert)



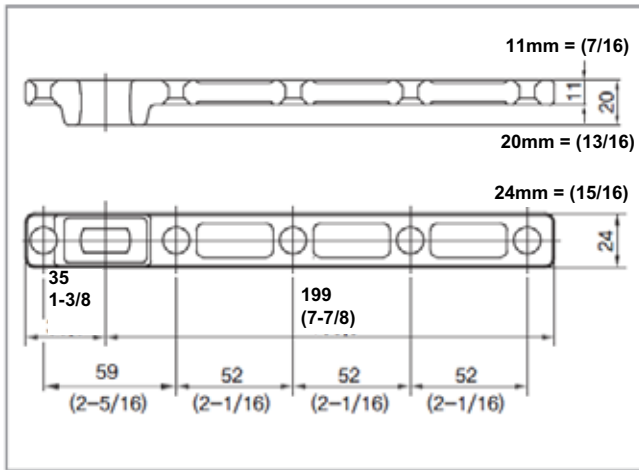
Spindle interchangeable

Detachable spindle

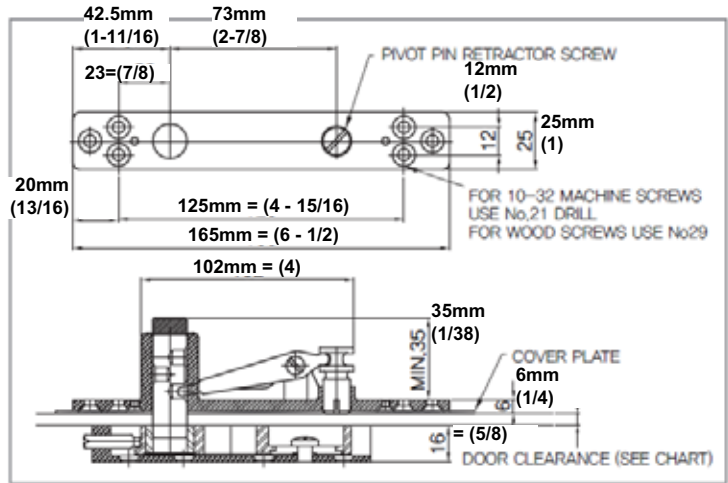
Spindle No.	8030	8031	8032	8033	8034	8035	8036
3" Pre-load Spindle No. (-RH or -LH)	8040	8041	8042	8043	8044	8045	8046

STANDARD ACCESSORIES

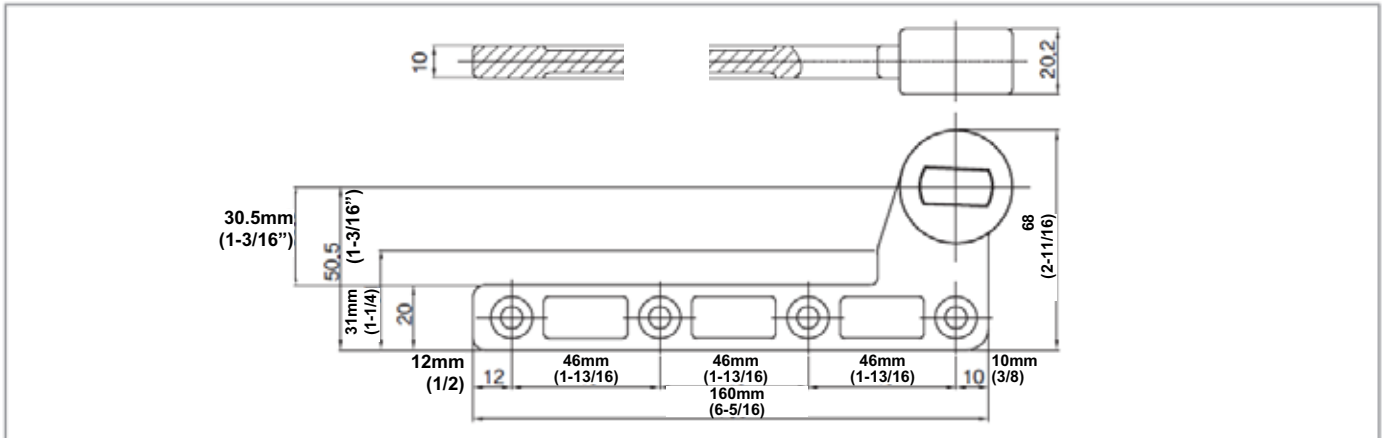
Standard bottom arm 8011



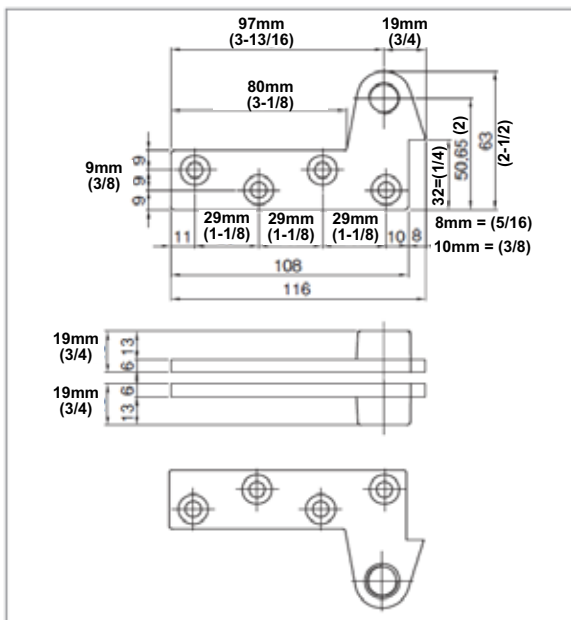
Standard top pivot 8012



Offset arm (right & left) 8021



Offset top pivot (right) 8023



Offset top pivot (left) 8024

