



FLOOR CLOSER SPRINGS ST75 SERIES

GRADE 1 • MEDIUM DOORS

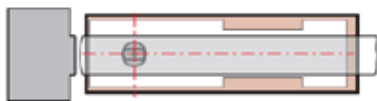
FEATURES

- Closing from 175° in both door swing directions with hydraulic control from 170°
- Adjustable closing speed (175°~15°) and latching speed (15°~0°)
- Cast aluminum body.
- Universal cover plate in stainless steel.
- Mechanical Back Check function.
- Cement box in hot zinc plated.
- Extended spindle.

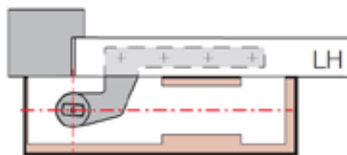


- Floor spring with fix closing force for medium doors.
- Certified in compliance with EN 1154 /UL / ANSI 156.4 Grade 1
- Suitable for fire and smoke protection doors (No fire test conducted yet)
- For double and single action door up to 120kg

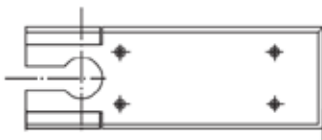
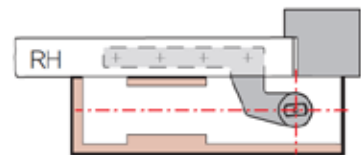
APPLICATION AND INSTALLATION



Double action door mounting



Single action door mounting



Application for LH offset pivoted door



Application for RH offset pivoted door

International Door Closers, Inc.

COPYRIGHT 2014 INTERNATIONAL DOOR CLOSERS, INC

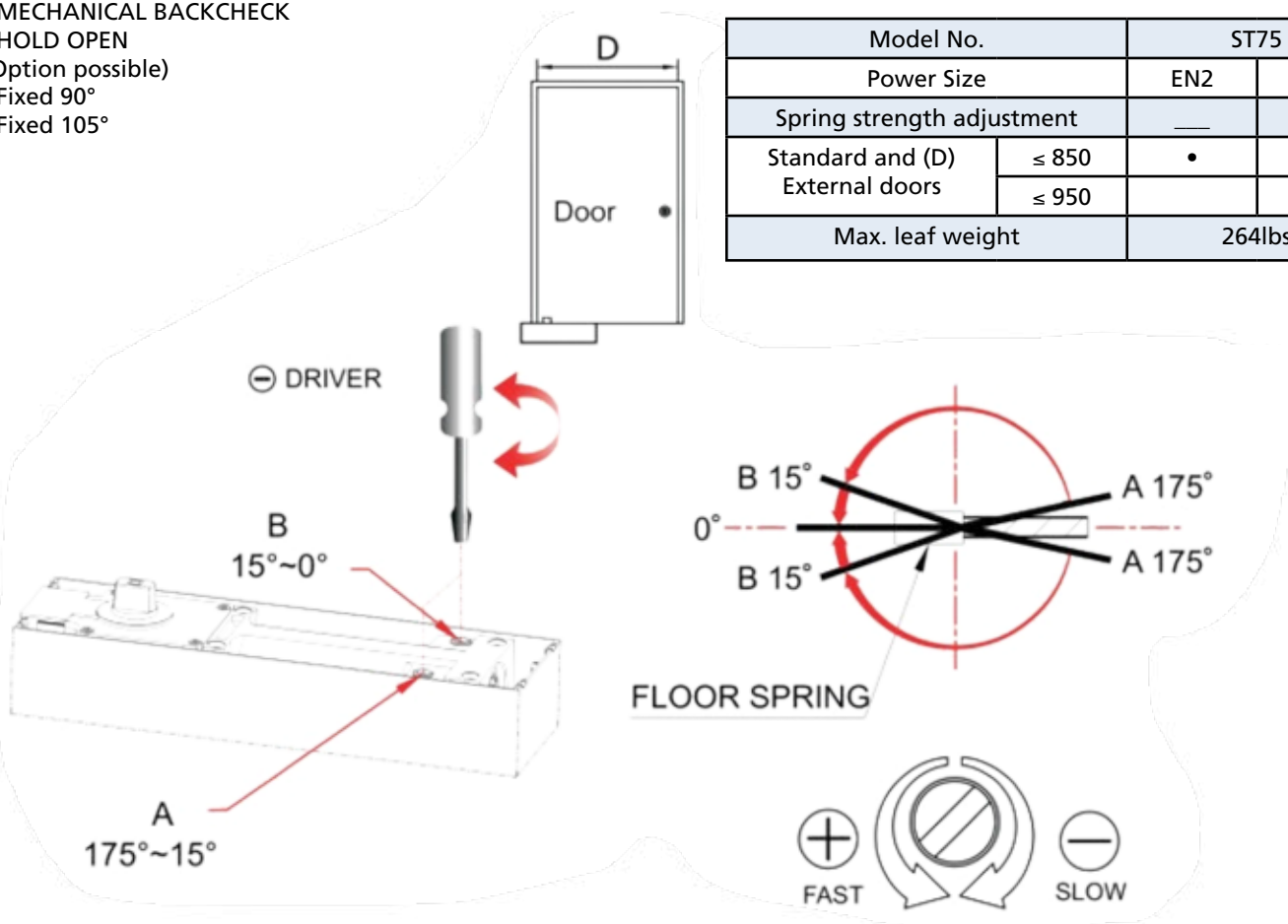
West: 800-544-4422 • East: 800-225-6737

www.intldoorclosers.com

STANDARD AND OPTIONAL FUNCTIONS

- ADJUST CLOSING SPEED
- VALVE "A" - controls closing speed from MAX. OPENING 175°-15'
- VALVE "S" - controls closing speed from 15°-0'
- MECHANICAL BACKCHECK
- HOLD OPEN
(Option possible)
- Fixed 90°
- Fixed 105°

Model No.	ST75	
Power Size	EN2	EN3
Spring strength adjustment	—	—
Standard and (D) External doors	≤ 850	•
	≤ 950	
Max. leaf weight	264lbs	



TECHNICAL ATTRIBUTES

Spring Strength (EN)	2	3
Standard and external doors	≤ 850mm	•
	≤ 950mm	•
Max. leaf weight(lbs)	264lbs	
Non-Handed	•	
Closing speed adjustable by valve	175°-15°	•
	15°-0°	•
Backcheck (Mechanical)	•	
Hold-open	Fix	90° or 105°
Weight (lbs)	11	
Dimensions in mm	Lenght	285
	Width	82
	Height	50
Floor spring tested to EN 1154	•	
ANSI 156.4 Grade 1	•	

International Door Closers, Inc.

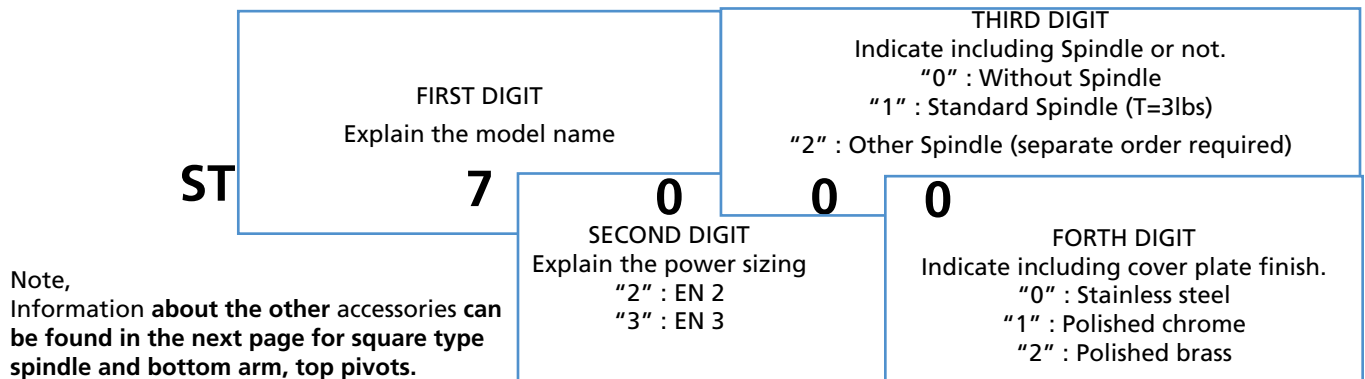
COPYRIGHT 2014 INTERNATIONAL DOOR CLOSERS, INC

West: 800-544-4422 • East: 800-225-6737

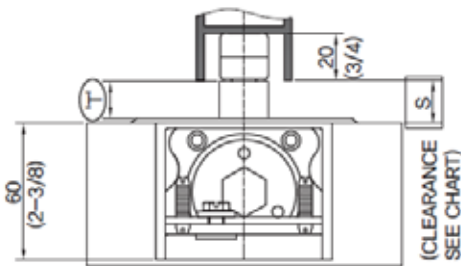
www.intldoorclosers.com

STANDARD AND OPTIONAL FUNCTIONS

PREFIXES

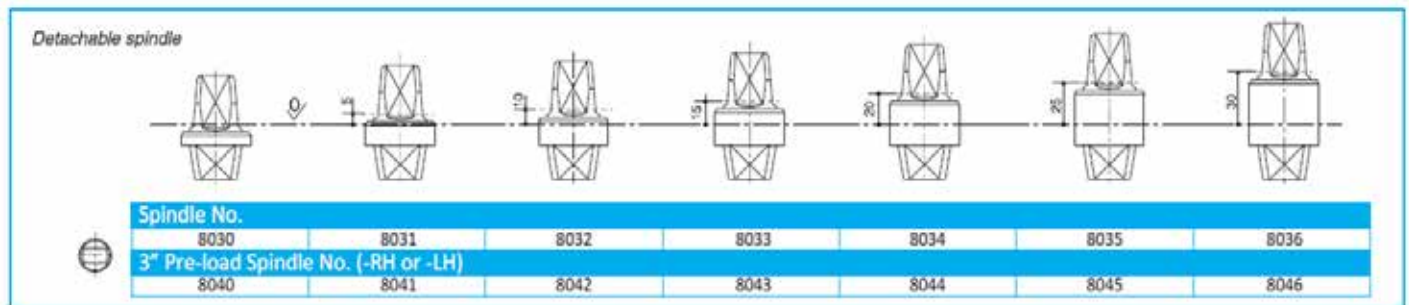


SPINDLE



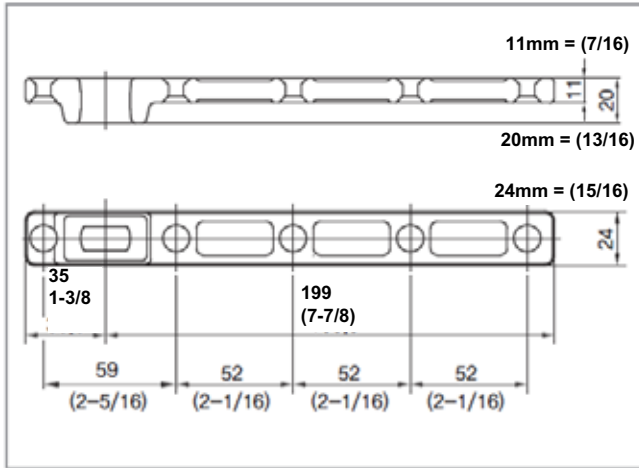
A range of interchangeable spindles is available to provide greater floor clearance if required (e.g. door with thresholds, carpeted floors etc.)
 Special spindles available on application: e.g. with flat face profile and 3" offset or square section ; spindles for MAS specific accessory also available.

Calculating the necessary length of spindle extension:
 Extension S : Floor clearance (normally 8mm)
 Collar height T of extended spindle inserts : Spindle extension length + 3mm (collar of the standard spindle insert)

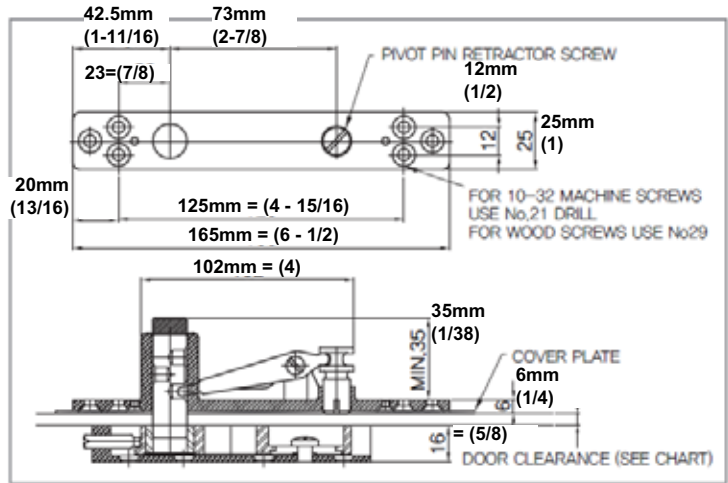


STANDARD ACCESSORIES

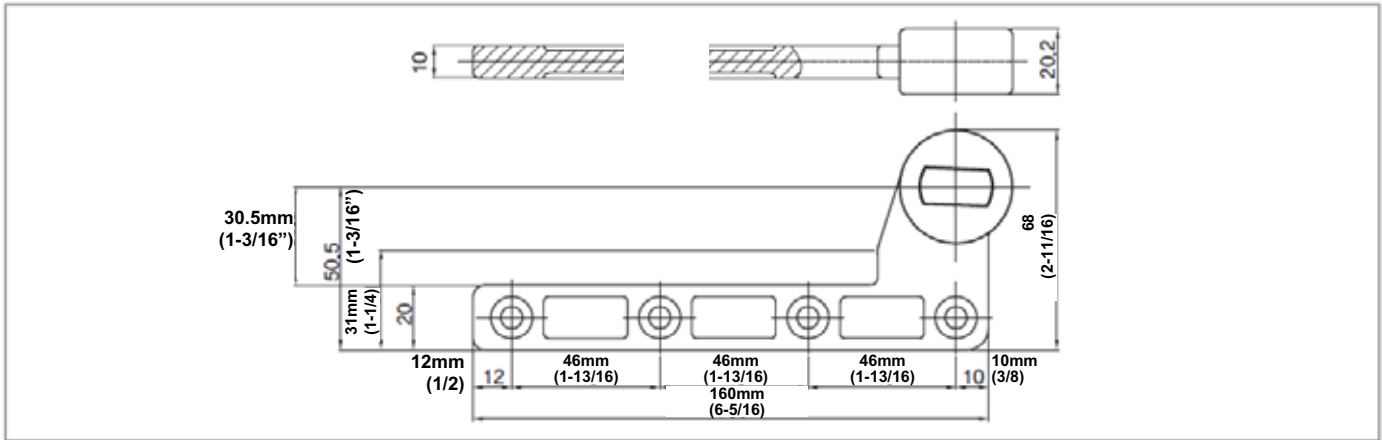
Standard bottom arm 8011



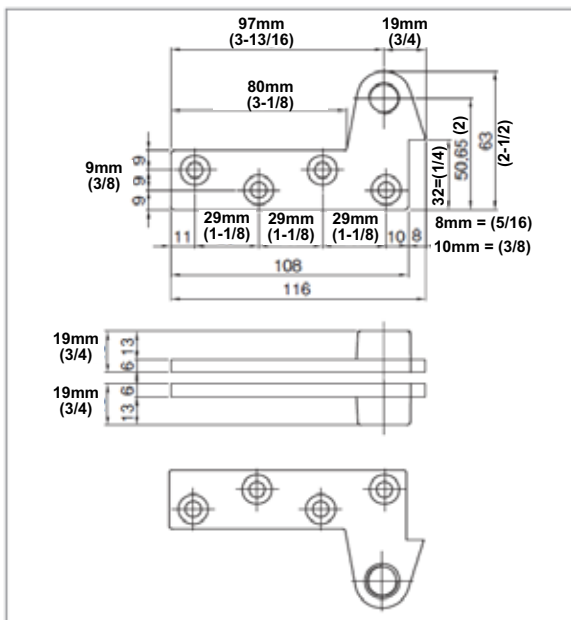
Standard top pivot 8012



Offset arm (right & left) 8021



Offset top pivot (right) 8023



Offset top pivot (left) 8024

