



HARD WIRE OR WIRELESS PBDGP SERIES DUAL VESTIBULE PUSH PLATE

PREMIUM PUSH PLATE
FOR KNOWING ACT APPLICATIONS

PBDGP SERIES

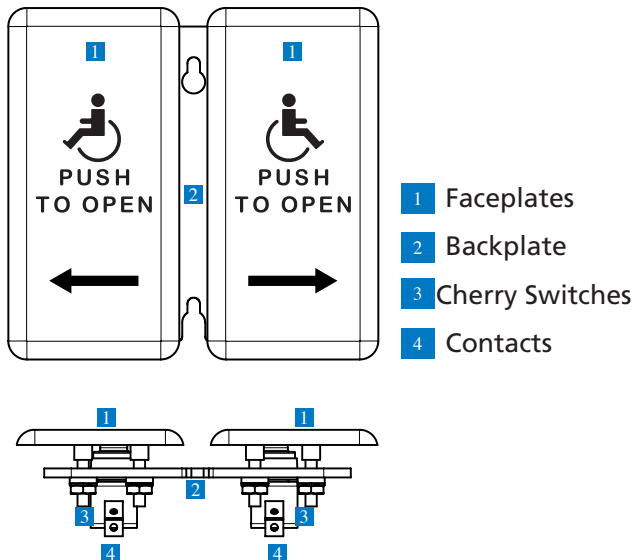


10PBDGP1
Push To Open
Text and Logo



The PBDGP Series, dual vestibule push plate, provides an aesthetically pleasing solution for vestibule applications. This provides an option to open one set of doors independently from the other set. Also, this push plate is an ideal addition to any automatic sequencing application.

COMPONENTS VIEW



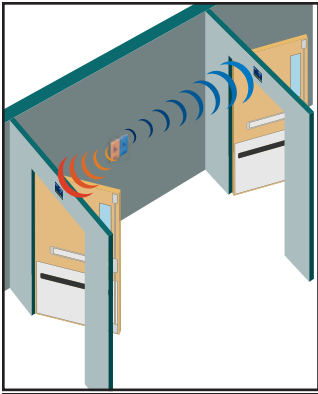
FEATURES

- Provides a more efficient design for vestibule applications by eliminating the need for two separate push plate on a wall
- Beveled edges reduce accidental damage from any side
- Stainless steel faceplate is scratch/scuff resistant and will not deteriorate or rust from exposure to liquids and other cleaning products
- Graphics are etched onto the faceplates for maximum durability
- A weather boot is located between the faceplates and the backplate for all-weather applications

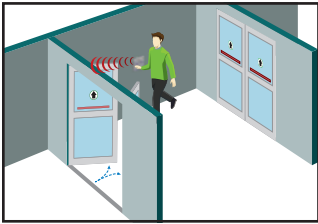
International Door Closers, Inc.

COPYRIGHT 2017 INTERNATIONAL DOOR CLOSERS, INC

West: 800-544-4422 • East: 800-225-6737
www.intldoorclosers.com



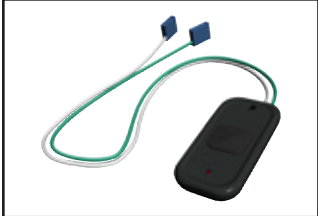
1 PLATE FOR 2 DOORS



OPEN ONLY ONE SET OF DOORS



10RD433 / 10RD433EH



10TD433PB3V



10BR3

APPLICATIONS

BENEFITS

- Only one vestibule plate needed for interior vestibule applications
- Conserves energy by only opening selected doors
- Complements any dual vestibule sequencing application
- Provides entrapment protection

MOUNTING ACCESSORIES



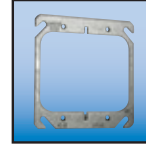
10BOX4755SQSM
4.75" Square
Surface Mount



10BOX4755SQFM
4.75" Square
Flush Mount



10BOLLARD
IDC Mounting Post
Bronze/Silver/Black



50.5016
Mounting
Adapter Ring



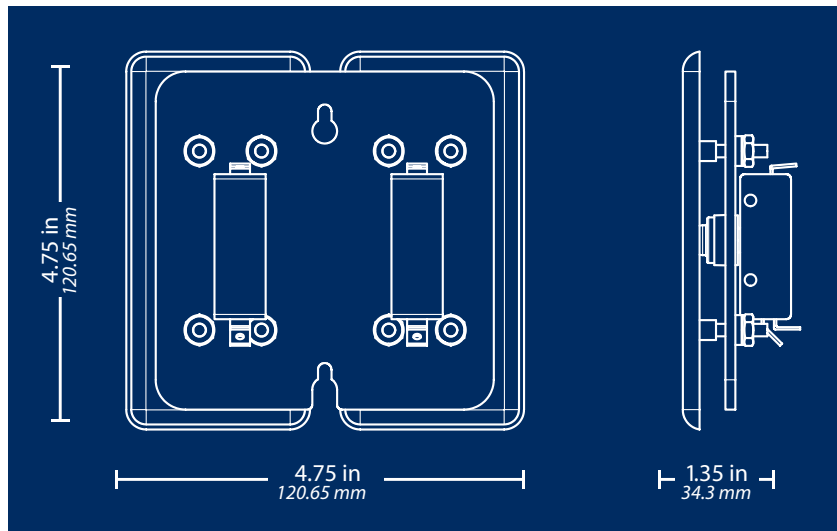
10BOXDG45C
Plastic Surface
Mount Box



10BOXDG5M
Double Gang
Surface Mount

RELATED PRODUCTS

DIMENSION DETAILS



BACK

SIDE

TECHNICAL SPECIFICATIONS

Materials	Faceplate: 16 gauge, 304 2B Stainless Steel
	Backplate: 1/8 inch thick, Aluminum
Cherry Switch	Mounting Screws: Stainless Steel, 6-32 x 1 inch; 8-32 x 1 inch
	Allen Head Size: 5/64
Compatible Wireless Frequencies	Single-pole, 15 A, COM/NO/NC
	433, 390 or 300 MHz

Specifications are subject to change without prior notice.

DISCLAIMER This document as well as all other enclosed documents (quotation / specification / other) are provided «as is» without warranties of any kind, either expressed or implied, including but not limited to the implied warranties of merchantability, fitness for a particular purpose, or non-infringement. / Information is supplied upon the condition that the persons receiving it will make their own determination as to its suitability for their purposes prior to use. In no event will IDC be responsible for damages of any nature whatsoever resulting from the use of or reliance upon information from this document or the products to which the information refers. / IDC has the right without liability to change descriptions and specifications at any time. / Prices, shipping and availability are subject to change without prior notice.

