



EASY INSTALLATION
1½" X 4¾" JAMB STYLE
PBJM SERIES

INNOVATION QUALITY SERVICE



The PBJM Series is designed to fit neatly into a IDC jamb style push plate box and is a practical solution to guide rail applications.

- Narrow design makes an easy application on guide rails and swing doors
- Beveled edges provide a tamper and vandal resistant solution
- Universal touch area at any "push" location
- Stainless steel finish is scratch/scuff resistant and will not deteriorate or rust
- Text and logo are baked onto the surface for maximum durability
- Available in multiple colors and styles to meet specifications and
- Customer requests

International Door Closers, Inc.

COPYRIGHT 2014 INTERNATIONAL DOOR CLOSERS, INC

West: 800-544-4422 • East: 800-225-6737

www.intldoorclosers.com

TECHNICAL SPECS

- A. 16 gauge, 304 2B Stainless Steel Faceplate
- B. 1/8" thick, Aluminum Back Plate
- C. Stainless Steel 6-32 x 1: Allen head mounting screws
- D. Cherry Switch: Single-pole, 15A, COM / NO / NC contact

PBJ SERIES FAMILY OF PRODUCTS



10PBJ - Text only



10PBJL - Logo only



10PBJ1 - Text and Logo



10PBJ10 - Plain

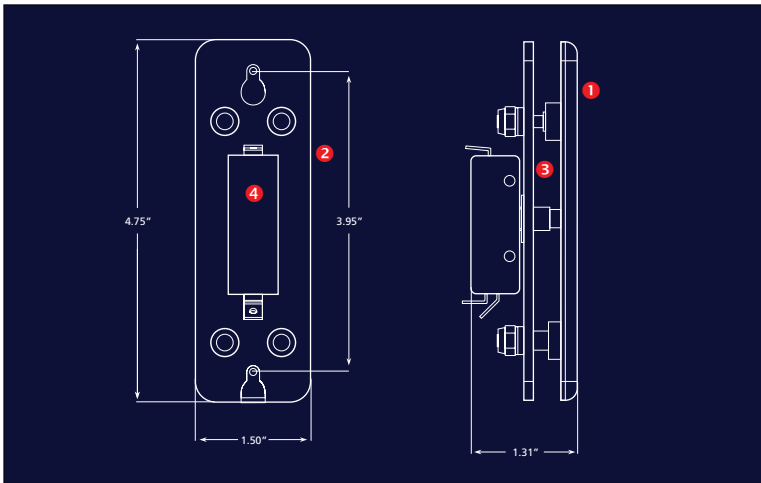


10PBJ1B - Text and Logo
Blue



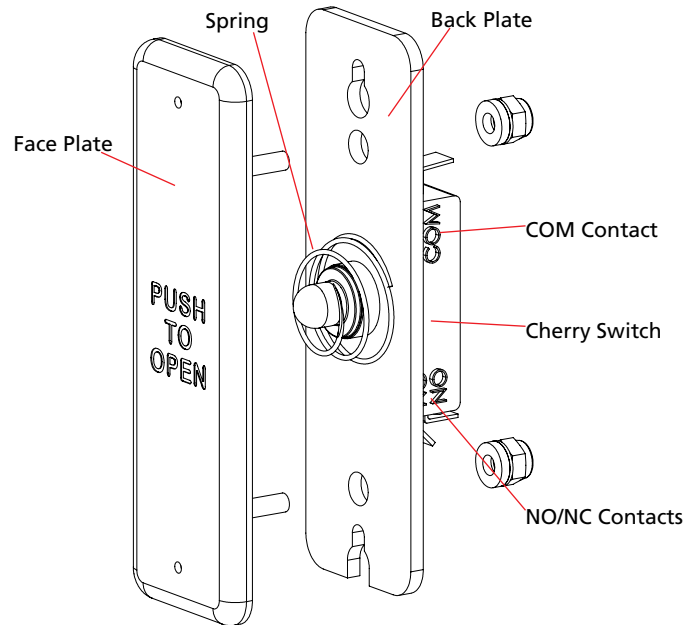
10PBJLB - Logo only
Blue

COMPONENTS



- 1 Front Plate
- 2 Back Plate
- 3 Weatherboot
- 4 Cherry Switch

PBJ SERIES DETAILS

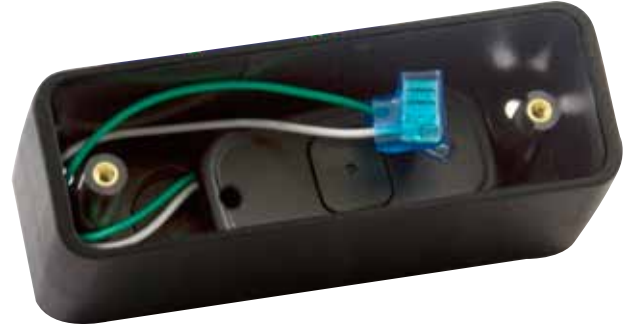


FLUSH MOUNT BOX



WITH 3-VOLT TRANSMITTER

SURFACE MOUNT BOX

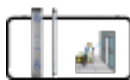


WITH 3-VOLT TRANSMITTER

RELATED PRODUCTS



10BOXJAMBFM
Jamb Flush
Mount Box



LPR Push Plate
36" Faceplate
For Maximum
Accessibility



10TD433PB3V
3-Volt Transmitters
are Used with the
Mounting Boxes



10BOXJAMBSM
Jamb Surface
Mount Box



10RD433
Digital Receiver
with Sequencing
Function

International Door Closers, Inc.

COPYRIGHT 2014 INTERNATIONAL DOOR CLOSERS, INC

West: 800-544-4422 • East: 800-225-6737

www.intldoorclosers.com



EASY INSTALLATION
1½" X 4¾" JAMB STYLE
PBJM SERIES

INNOVATION QUALITY SERVICE

The PBJM Series is designed to fit neatly into a IDC jamb style push plate box or to be mounted directly to a door jamb.

- Microswitch design allows for easy installation
- Beveled edges provide a tamper and vandal-proof solution
- Universal touch area at any "push" location
- Stainless steel finish is scratch/scuff resistant and will not deteriorate or rust
- Text and logo are baked onto the surface for maximum durability
- Available in two styles; with plain logo or logo and text



International Door Closers, Inc.

COPYRIGHT 2014 INTERNATIONAL DOOR CLOSERS, INC

West: 800-544-4422 • East: 800-225-6737

www.intldoorclosers.com

TECHNICAL SPECS

- A. 16 gauge, 304 2B Stainless Steel Faceplate
- B. 1/8" thick, Aluminum Back Plate
- C. Stainless Steel 6-32 x 1: Allen head mounting screws
- D. C&K Switch: Single-pole, 1A

PBJ SERIES FAMILY OF PRODUCTS

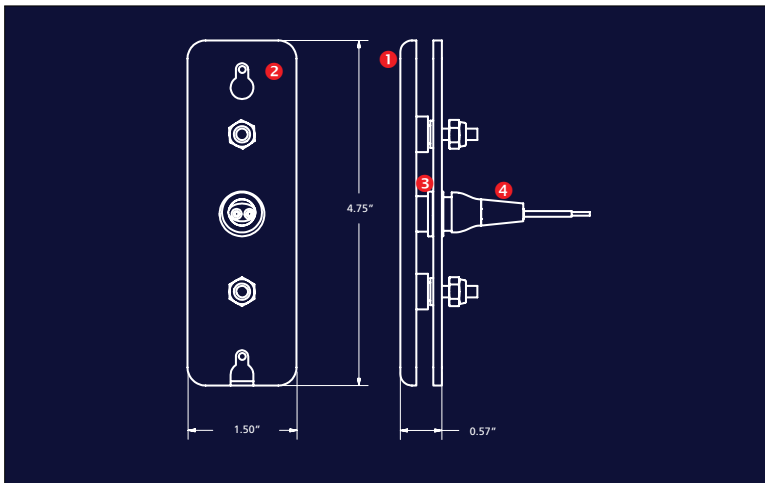


10PBJM1 - Text and Logo



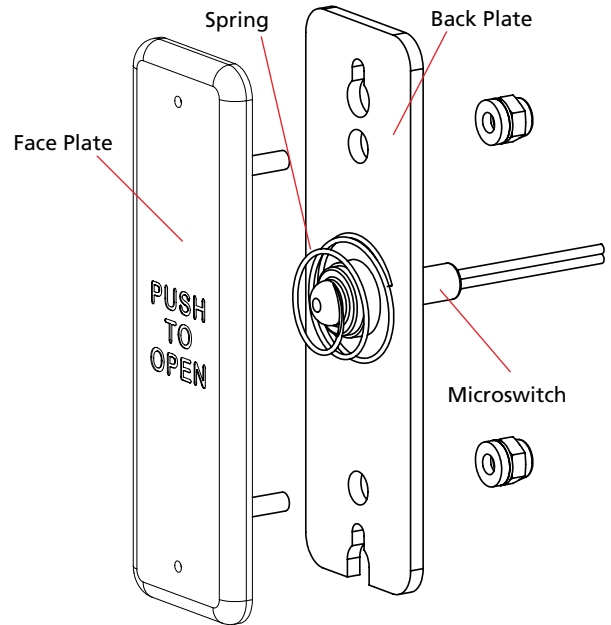
10PBJML - Logo only

COMPONENTS



- 1 Front Plate
- 2 Back Plate
- 3 Weatherboot
- 4 Microswitch

PBJ SERIES DETAILS



FLUSH MOUNT BOX



WITH 3-VOLT TRANSMITTER

SURFACE MOUNT BOX

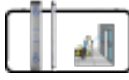


WITH 3-VOLT TRANSMITTER

RELATED PRODUCTS



10BOXJAMBFM
Jamb Flush
Mount Box



LPR Push Plate
36" Faceplate
For Maximum
Accessibility



10TD433PB3V
3-Volt Transmitters
are Used with the
Mounting Boxes



10BOXJAMBSM
Jamb Surface
Mount Box



10RD433
Digital Receiver
with Sequencing
Function

International Door Closers, Inc.

COPYRIGHT 2014 INTERNATIONAL DOOR CLOSERS, INC

West: 800-544-4422 • East: 800-225-6737

www.intldoorclosers.com



E A S Y I N S T A L L A T I O N
1 3/4" X 4 1/2" JAMB STYLE
PBJMS SERIES

INNOVATION QUALITY SERVICE



The PBJMS Series is a practical solution to guide rail applications. The narrow body allows for a clean sleek look without the installation of a larger plate or bollard.

- Microswitch design allows for easy installation
- Beveled edges provide a tamper and vandal-proof solution
- Universal touch area at any "push" location
- Stainless steel finish is scratch/scuff resistant and will not deteriorate or rust
- Text and logo are baked onto the surface for maximum durability
- Available in two styles; with plain logo or logo and text

International Door Closers, Inc.

COPYRIGHT 2014 INTERNATIONAL DOOR CLOSERS, INC

West: 800-544-4422 • East: 800-225-6737

www.intldoorclosers.com

TECHNICAL SPECS

- A. 16 gauge, 304 2B Stainless Steel Faceplate
- B. 1/8" thick, Aluminum Back Plate
- C. Stainless Steel 6-32 x 1: Allen head mounting screws
- D. C&K Switch: Single-pole, 1A

PBJ SERIES FAMILY OF PRODUCTS

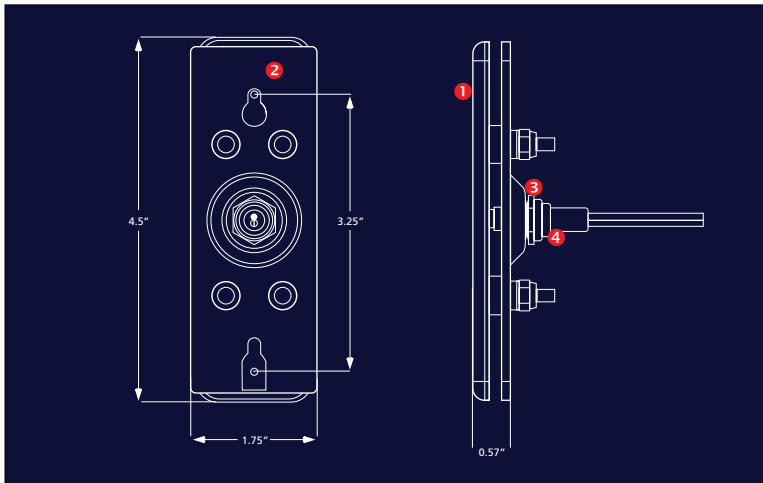


10PBJMS1 - Text and Logo



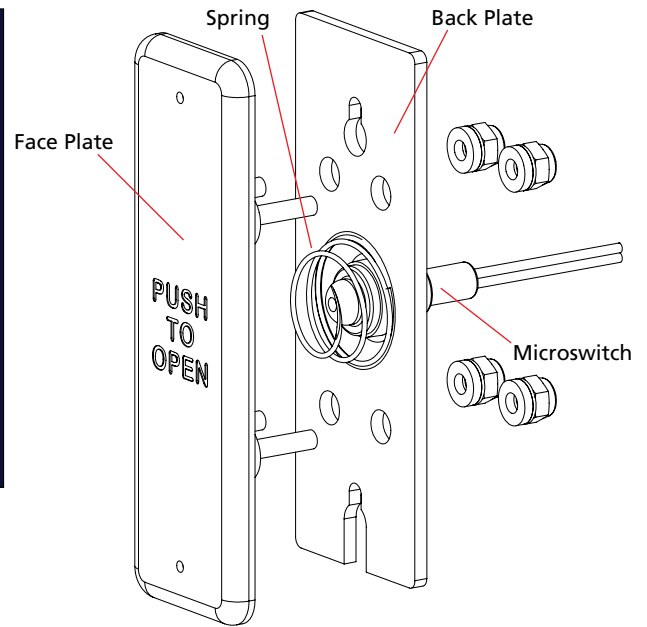
10PBJMSLL - Logo only

COMPONENTS



- 1 Front Plate
- 2 Back Plate
- 3 Weatherboot
- 4 Microswitch

PBJ SERIES DETAILS



FLUSH MOUNT BOX



NOTE: WIRELESS TRANSMITTERS FOR THE RF-433 WILL NOT FIT

SURFACE MOUNT BOX

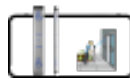


WITH PBJMSLL PUSH PLATE

RELATED PRODUCTS



10BOXJAMBSM
Jamb Surface
Mount Box



LPR Push Plate
36" Faceplate
For Maximum
Accessibility

International Door Closers, Inc.

COPYRIGHT 2014 INTERNATIONAL DOOR CLOSERS, INC

West: 800-544-4422 • East: 800-225-6737

www.intldoorclosers.com