



# STAINLESS STEEL INTERMEDIATE PIVOT SETS

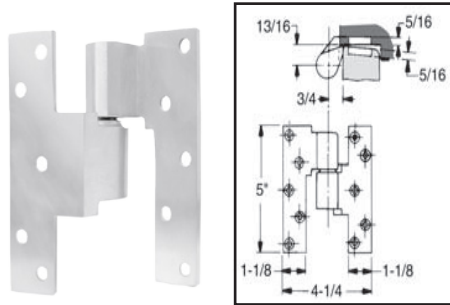
## INTERMEDIATE PIVOTS

### PIVOT SETS



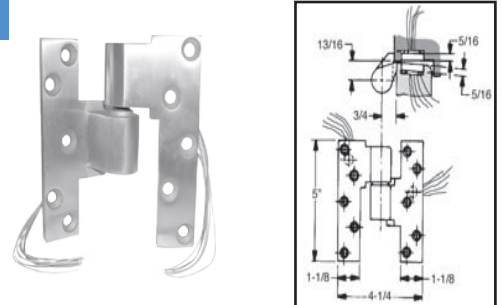
Intermediate pivots are used to keep doors in alignment. All intermediate pivots are offset hung and cannot be used on center hung doors. Per NFPA 80, fire doors are to have an intermediate pivot for additional support at 30" or fraction thereof for door heights over 6'. Available in most architectural finishes.

#### 019



- 3/4" offset, handed
- Full mortise
- Needle bearing supplied standard. Can be used on heavy duty doors
- US32D models listed for use on labeled doors
- BHMA/ANSI C07321/3525

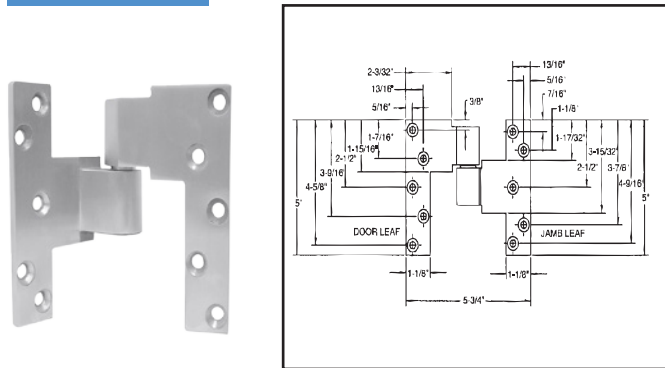
#### E019



- Intermediate Pivot
- For Power Transfer
- 3/4" offset, handed
- Full Mortise
- Can be used on heavy duty doors
- US32D models listed for use on labeled door
- (8) 28ga. wires supplied standard\*
- Door and jamb portions are factory assembled

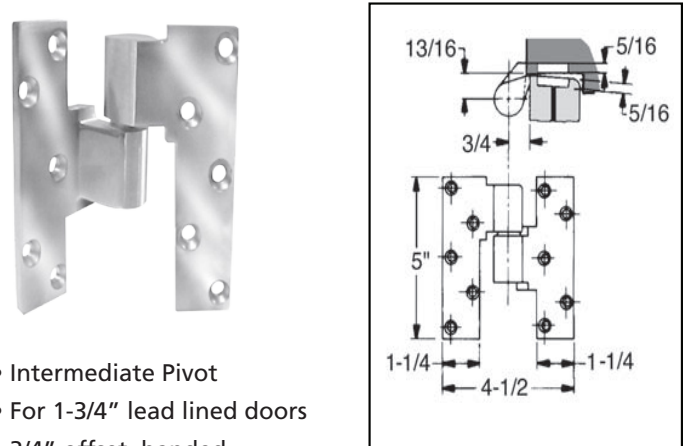
\*Pivot cannot be separated for installation

#### 019 x 1 1/2



- 1-1/2" offset, handed
- Full mortise
- Needle bearing supplied standard can be used on heavy duty doors
- US32D models listed for use on labeled doors
- BHMA/ANSI C07321

#### L019



- Intermediate Pivot
- For 1-3/4" lead lined doors
- 3/4" offset, handed
- Full mortise
- Needle bearing supplied standard
- US32D models listed for use on labeled doors
- BHMA/ANSI C07311

SEE SS PIVOT/PIVOT SETS CROSSOVER REFERENCE CHART ON PAGE 9

**International Door Closers, Inc.**

COPYRIGHT 2017 INTERNATIONAL DOOR CLOSERS, INC

**West: 800-544-4422 • East: 800-225-6737**  
**www.intldoorclosers.com**