



VERBAL EXIT INSTRUCTIONS OR ALARM TONE ONLY AND DIGITAL COUNTDOWN DISPLAY

101-DE EXIT CHECK®

DELAYED EGRESS CONTROLLER

Verbal Exit Instructions or Alarm Tone Only and Digital Countdown Display

- **Stop Employee Theft**
- **Stop Retail Shoplifting**
- **Restrict Airport Patrons**
- **Restrict Wandering Patients**

The integral verbal message, digital countdown display and sign provide comprehensive and clear instructions of the door operation for persons without prior knowledge of the exit delay, including the sight and hearing impaired.

The digital keypad eliminates the need to carry and locate keys for reset and bypass functions.



Application

When unauthorized egress is initiated IDC Exit Check® delays egress through the door for 15 or 30 seconds. Meanwhile, the person exiting must wait, while personnel or security responds. The door unlocks after 15 or 30 seconds have elapsed permitting egress. When powered by a fire control supervised power supply, the lock will release immediately in an emergency.

Exit Check® applications include:

- Theft protection for technology, merchandise and other valuables, such as museum artifacts.
- Restriction of airport patrons and public facility visitors for security and public safety.
- Restricting the egress of patients for their own safety.

Benefits

Designed for low to medium security applications, Exit Check® benefits include:

- Use of smaller or less obtrusive EmLocks® with a choice of 650 lbs., 1200 lbs. or 1650 lbs. holding force.
- Direct eye contact with egress status annunciation and easy to reach controls for alarm reset, sustained bypass and momentary bypass functions.



FWAX Special Locking Arrangements
GWXT Auxiliary Locks

CSFM
3774-0324:103

Features

Egress Delay

- 15 or 30 second exit delay
- 1 or 2 second nuisance delay

Built-In 3 Function Keypad

- Alarm and lock reset
- 1 to 30 second bypass
- Sustained bypass
- Additional keyswitch optional

Control Inputs

- 1 to 30 second request-to-exit and access bypass with anti-tailgate
- Alarm reset

Built-in Annunciation

- Armed mode
- Nuisance mode
- Irreversible egress mode
- Release mode
- Digital countdown display
- Field selectable voice notification or tone
- Field selectable male voice with security message or female voice with safety message

Monitoring Outputs

- Armed status
- Egress initiation status
- Released status

Optional EMLock Outputs

- Door position sensor - indicates door open and door closed, commonly used to verify egress after release
- Magnetic bond sensor - indicates locked with full holding force, low holding force, unlocked and tampering

Choice of Mounting

- Recessed mounted (3 gang plaster ring included)
- Surface mounted with optional 3 gang box (DEC-J)

Trigger Modes

- Egress alarm triggered by door movement when used with IDC 1500DE series EmLocks.
- Trigger input from external device field selectable (N/O or N/C)

Power-Up Modes

- Field selectable automatic or manual power up after emergency release or power loss. Use of manual power up complies with California Building Code (OSHPD) requirements

Display Modes

- 15** Door armed and locked.
- 00** Alarm countdown period has ended, door is unlocked and alarm sounding until reset.
- Door has been opened after REX, Bypass or Alarm.
- Door unlocked and alarm is shunted (REX or Bypass)

Code Compliance

- IFC International Fire Code
- IBC International Building Code
- NFPA 101 Life Safety Code
- NFPA 1 Uniform Fire Code
- California Building Code

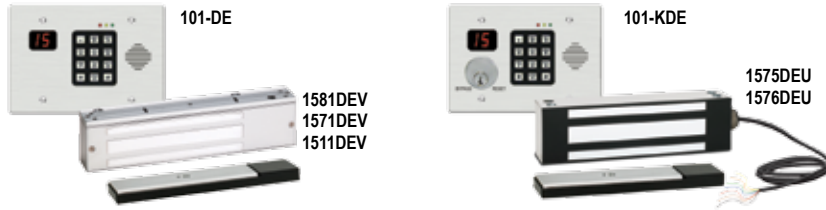
International Door Closers, Inc.

COPYRIGHT 2014 INTERNATIONAL DOOR CLOSERS, INC

West: 800-544-4422 • East: 800-225-6737

www.intldoorclosers.com

Model



DELAYED EGRESS CONTROLLER

- 101-DE** Wall mount controller with keypad control and reset, 180 mA @ 12/24 VDC
101-KDE Wall mount controller with both keypad and keyswitch control and reset (less cylinder)

MAGNETIC LOCK WITH ACTIVATION SENSOR *Specify 2 for pair of doors*

Indoor Locks

- 1511DEV** Single, 1650 lbs holding force, 670/350 mA @12/24 VDC, 628 finish standard
1571DEV Single, 1200 lbs holding force Energy Saver, 250/125 mA @12/24 VDC, 628 std
1581DEV Single, 650 lbs holding force, 440/220 mA @12/24 VDC, 628 finish standard

Indoor/outdoor locks with activation sensor and conduit fitting

See 101-1AK for outdoor reset application

- 1575DEU** Single magnetic lock with magnetic bond sensor, 630 finish standard
1576DEU Single face drilled magnetic lock with magnetic bond sensor, 630 std

Finish

Not available with outdoor lock

- 628 Clear Anodized Aluminum (*Std*) Dark Bronze Powder Coat (313/613 equal)
 335 Black Anodized

Options

- B** Magnetic bond sensor. Indicates locked with full holding force, low holding force, unlocked, tampering and obstructions. (1581DEV SPST only)
D Door position sensor. Indicates door open and door closed. Commonly used to verify egress after alarm and exit delay activation. Not available with 1581DE, 1575DE or 1576DE
VI English and Spanish, or English and French verbal announcement
VIC Custom verbal announcement (*minimum 10 piece purchase*)

Accessories

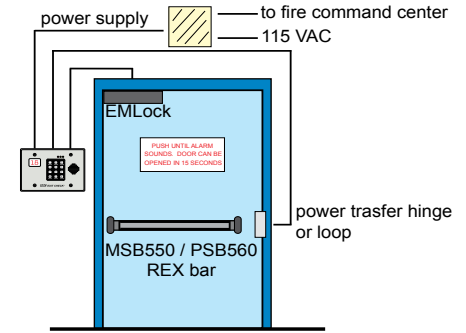


DEC-J

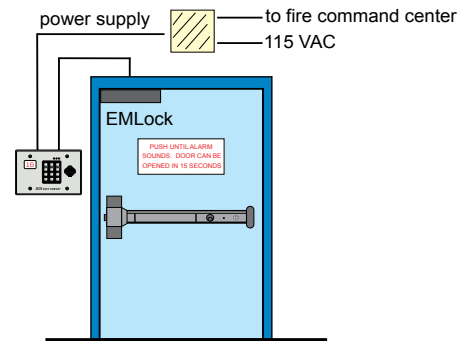


101-DE, DEC-J, SHD-J

Door Without Latch Assembly Activation By Sure Exit® Push Bar



Door With Latch Assembly Activation By Door Movement



Specifications

INPUTS

- Voltage input:** Auto sensing 12/24VDC
Reset input: NO, Dry
REX input: NO, Dry
Trigger: N.C or N.O., dry

MONITORING OUTPUTS

- Alarm Output:** 1 Amp @ 30VDC SPDT, dry
Locked Output: 1Amp @ 30VDC SPDT, dry

MECHANICAL SPECIFICATIONS

- Controller:** 6.5" x 4.5" x 1.5"
 (165 x 114 x 38mm)
1581DE: 8.75" x 2.125" x 1.25"
 (222 x 54 x 32mm)
1571DE / 1511DE: 11" x 2.75" x 1.562"
 (279 x 69.9 x 39.7mm)
1575DE / 1576DE: 8.7" x 2.5" x 1.6"
 (221 x 63.5 x 41mm)