



1583 CABINET EMLOCK®

MAGNETIC LOCK

Micro Cabinet EMLock® Security Made Easy

IDC's 1583 Micro Cabinet EMLock® is a compact specialized electromagnetic lock that produces 300lbs. of holding force. Versatile mounting capability with face drilled and surface mounting holes. The 1583 operating voltage is field selectable for either 12/24 VDC. Aluminum housing is standard.



Applications

- Cabinets
- Drawers
- Display cases
- Machine equipment housings
- Gun safes
- Package pass through doors
- Dark rooms

Failsafe Operation

Security and safety with no moving parts. Positive and instantaneous failsafe un-locking operation is guaranteed.

Easy Installation

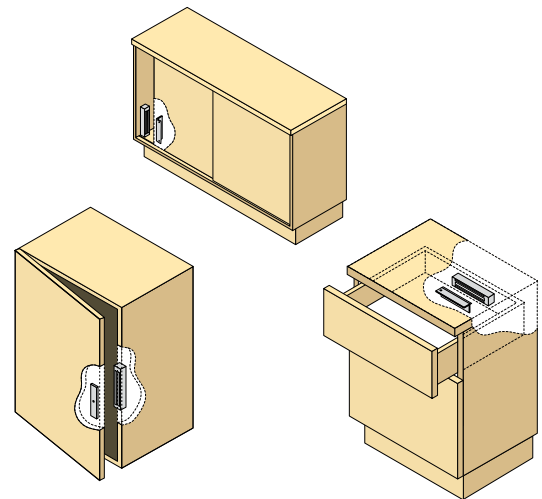
Compact size allows easy installation in small cabinets or restricted spaces. No special tools are required.

Durable, No Maintenance

With nothing to wear out and no moving parts, the 1583 EMLock® is virtually maintenance free.

Solid State Protection

The EMLock® provides spike and surge protection for solid-state devices on the same line.



Specifications

1583V	EMLock® 300lbs. holding force, 12/24VDC
Dimensions	
EMLock®:	6.5"L x 1.125"W x 1.5"H (159 x 29 x 38mm)
Armature:	5.125"L x 1.125"W x 0.25"H (130 x 29 x 6mm)
Electrical Specifications	
Connection:	Wire leads with in-line spike and surge protection
Input Voltage:	12 or 24 VDC +/- 10%
Current:	500mA @ 12VDC 250mA @ 24 VDC

Battery back up capability when used with a power supply and battery,

Note: Not recommended for life safety on pedestrian doors.

Features

- 300lbs. of holding force
- An electronics module provides spike and surge protection for the EMLock®
- Dual voltage and modular design
- Strong enough even for large cabinet doors
- Protection of the EMLock® and other devices on same line without additional parts
- Operates on 12 or 24VDC



International Door Closers, Inc.

COPYRIGHT 2014 INTERNATIONAL DOOR CLOSERS, INC

West: 800-544-4422 • East: 800-225-6737

www.intldoorclosers.com

Figure 1. 1583 EMLock® Dimensions

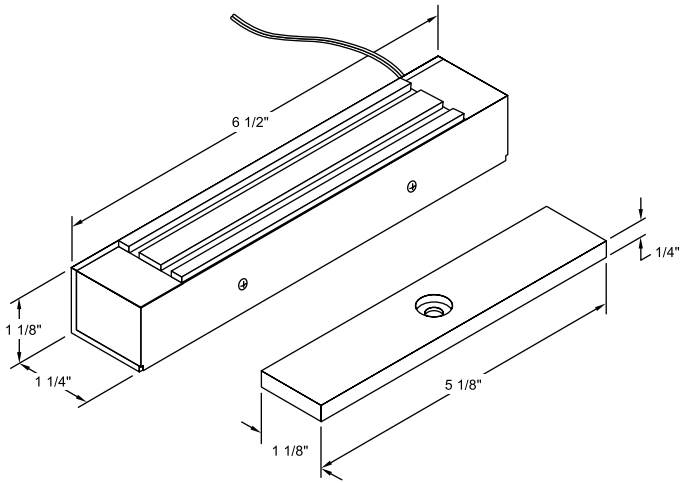


Figure 2. 1583 EMLock® with AC transformer, rectifier, key switch and LED (green when locked, red when unlocked)

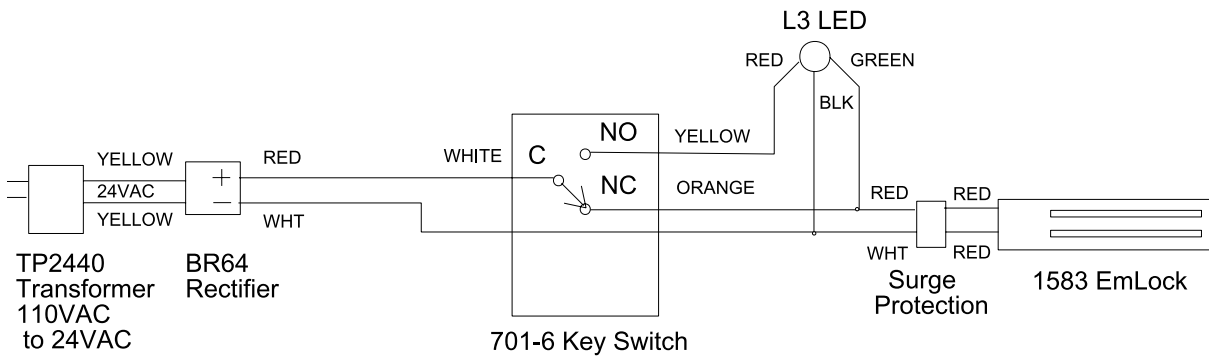


Figure 3. 1583 EMLock® with DC plug-in transformer and SDC 917 keypad

