



DISTRIBUTOR OF TUCKER
AUTO-MATION DOOR PRODUCTS

REVOLVING DOORS

AUTOMATIC SYSTEMS



WHY REVOLVING DOORS ?

■ ENERGY EFFICIENT

The air conditioning elements prevent any exchange of outdoor and indoor air.

■ SMOOTH TRAFFIC

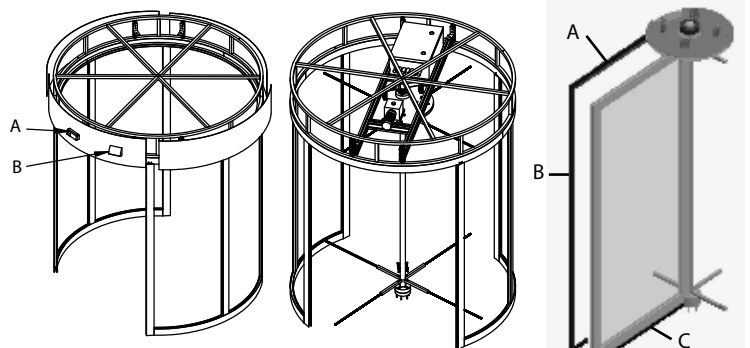
Revolving doors organize pedestrian traffic at the entrance of a building, creating a comfortable and regular transition.

AUTOMATIC REVOLVING DOORS SYSTEMS

PRODUCT DESCRIPTION & SPECIFICATIONS :

- Night Lock, Powerful Motor, Durable Bearings, 4+4 Laminated Glass, Brushes, Lighting, LCD-Display for Function and Adjustment.

■ ASSEMBLY



A - Activation Sensor - THE BAT.
B - Safety Sensor - TORPEDO

A - Upper brush
B - Side brush
C - Lower brush

AUTOMATIC REVOLVING DOORS SYSTEMS

Automatic revolving doors include ones of most significant products, which effect prestige and use of an architectural structure in terms of esthetics and functionality. Difference between automatic revolving doors and manual revolving doors is that automatic revolving doors are most useful products, which are revolved by a motor mechanism by means of radars at entrances and exits, equipped by intelligent security systems and thus provide security during pass of people as well as energy saving.

International Door Closers, Inc.

COPYRIGHT 2014 INTERNATIONAL DOOR CLOSERS, INC

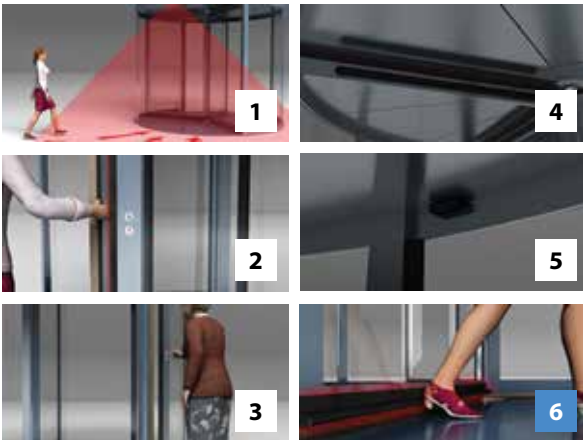
West: 800-544-4422 • East: 800-225-6737

www.intldoorclosers.com

AUTOMATIC REVOLVING DOOR SYSTEM | AUTOMATION SYSTEM

- Touch Screen
- Lighting
- Emergency Stop
- Test and Malfunction Mode
- Lock Mode
- Torque Limit
- Energy Conservation
- Language Options

AUTOMATIC REVOLVING DOOR SYSTEM | SAFETY

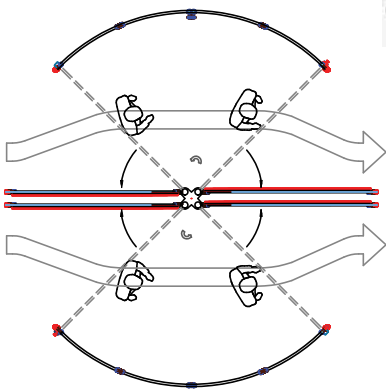


- 1 - STANDARD** MOTION SENSORS - **THE BAT**: ABILITY TO RECOGNIZE DIRECTION OF TRAFFIC
- 2 - STANDARD** GUILLOTINE AREA SENSOR - TORPEDO
- 3 - STANDARD** TRANSITION SYSTEM FOR SLOW MOVING TRAFFIC
- 4 - STANDARD** PRESENCE SENSORS - **THE CHAMELEON**: DOOR SLOW DOWN OR STOP
- 5 - STANDARD** EMERGENCY STOP SYSTEM
- 6 - OPTIONAL** HEEL SENSORS

AUTOMATIC REVOLVING DOOR SYSTEM | MECHANISM & MOTOR

■ 4 wing

REVOLVING DOOR
BREAK OUT FUNCTION



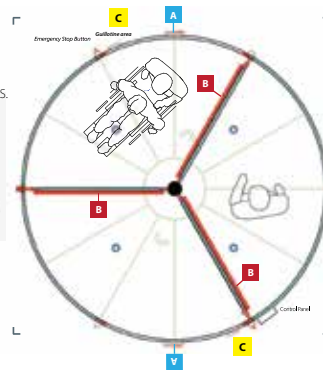
■ 3 wing

A THE BAT: ABILITY TO RECOGNIZE DIRECTION OF TRAFFIC, MOTION SENSORS.



B THE CHAMELEON: DOOR REACTIVE UPON DETECTION, PRESENCE SENSORS.

C TORPEDO ALLOWS RE-ACTIVATION OF DOOR BEFORE CONTACT IS MADE DURING THE CLOSING CYCLE.



■ Brushes

The horse hair made brushes surround the wings keep dirt, air, and noise outside. Thanks to these brushes wings move freely inside case of revolving doors.



■ Lighting

According to customers needs and requests revolving doors can be equipped with any kind of a lighting system.



■ Glass

Tucker uses laminated glass (4+4 mm) Our customers could choose all colors of glass or mirror glass. Colored glass or mirror glass is available upon request.



PRODUCT DESCRIPTION & SPECIFICATIONS

AUTOMATIC REVOLVING DOOR SYSTEM



STANDARD FEATURES:

Door leaf Glasses	4 + 4 Laminated
Curved Glasses	4 + 4 Laminated
Brushes	40 mm Horsehair Brushes
Lighting	4 x (3 x 1W LED)
Color	Clear or Dark Bronze Anodized or Any RAL Color
Horizontal Door Handles	25 mm Stainless Round
Lock	Manual
Door seals to protect hands	
Canopy	Aluminium Cover and Steel Structure
Emergency Shutdown	2 Emergency Shutdown Buttons
Slow Traffic Entry/Exit	2 Slow Entry/Exit Buttons
Safety Sensors	Standard for Entry and Exit

AUTOMATION FEATURES:

Motor + Gear: Bonfiglioli / Made in Italy

Control System: Siemens / Made in Germany

Sensors: Pepperl & Fuchs / Made in Germany

Seals and Sensors to protect hands and feet:
ASO Safety Solutions / Made in Germany

Control Panel: Siemens / Made in Germany

(All adjustments of the door can be performed by this display)

OPTIONAL FEATURES:

Stainless Plating Mirror

Stainless Plating Yellow Mirror

Bright Stainless Plating

Custom Door Handles

Colored Glass

Outdoor Application-Weather Proof

International Door Closers, Inc.

COPYRIGHT 2014 INTERNATIONAL DOOR CLOSERS, INC

West: 800-544-4422 • East: 800-225-6737

www.intldoorclosers.com



PRODUCT DESCRIPTION & SPECIFICATIONS

3 Wing



4 Wing



SPECIFICATIONS

3 Wing Revolving Door

AUTOMATIC	DIAMETER		WING LENGTH		TRANSITION WIDTH	
	in	mm	in	mm	in	mm
RD27.A3.2000	78 ¾"	2000	35 ½"	900	33"	840
RD27.A3.2200	86 ½"	2200	39 ½"	1000	37"	940
RD27.A3.2400	94 ½"	2400	43 ½"	1100	41"	1040
RD27.A3.2600	102 ½"	2600	47 ¼"	1200	44 ¾"	1140
RD27.A3.2800	110 ¼"	2800	51"	1300	48 ¾"	1240
RD27.A3.3000	118"	3000	55"	1400	52 ¾"	1340
RD27.A3.3200	126"	3200	59"	1500	56 ¾"	1440
RD27.A3.3400	133 ¾"	3400	63"	1600	60 ½"	1540
RD27.A3.3600	141 ¾"	3600	67"	1700	64 ½"	1640
RD27.A3.3800	149 ½"	3800	70 ¾"	1800	68 ½"	1740
RD27.A3.4000	157 ½"	4000	74 ¾"	1900	72 ½"	1840

4 Wing Revolving Door

AUTOMATIC	DIAMETER		WING LENGTH		TRANSITION WIDTH	
	in	mm	in	mm	in	mm
RD27.A4.2000	78 ¾"	2000	35 ½"	900	50 ½"	1280
RD27.A4.2200	86 ½"	2200	39 ½"	1000	56"	1420
RD27.A4.2400	94 ½"	2400	43 ½"	1100	61 ½"	1560
RD27.A4.2600	102 ½"	2600	47 ¼"	1200	67"	1700
RD27.A4.2800	110 ¼"	2800	51"	1300	72 ½"	1840
RD27.A4.3000	118"	3000	55"	1400	76 ½"	1980
RD27.A4.3200	126"	3200	59"	1500	83 ½"	2120
RD27.A4.3400	133 ¾"	3400	63"	1600	90"	2260
RD27.A4.3600	141 ¾"	3600	67"	1700	94 ½"	2400
RD27.A4.3800	149 ½"	3800	70 ¾"	1800	100"	2540
RD27.A4.4000	157 ½"	4000	74 ¾"	1900	105 ½"	2680



DISTRIBUTOR OF TUCKER
AUTO-MATION DOOR PRODUCTS

Note

Technical details and recommendations on our products are based upon experience and represent guidelines for the user. Details in brochures and specification sheets do not guarantee any special product features, apart from those we confirmed in individual cases. We reserve the right to make changes as the result of technical developments.

International Door Closers, Inc.

COPYRIGHT 2014 INTERNATIONAL DOOR CLOSERS, INC

West: 800-544-4422 • East: 800-225-6737

www.intldoorclosers.com