



# 700/800 SERIES

## KEY SWITCHES

IDC key switch assemblies provide an economical method of providing authorized control for a variety of applications. A choice of several contact configurations ensure compatibility with virtually any system.

- Access Control
- Automatic Gate Operation
- Roll Up Door Operation
- Alarm Shunt
- Alarm Reset
- Machine Operation

IDC key switch assemblies are compatible with U.S. standard, 1.125" and 1.25" mortise key cylinders and interchangeable core cylinders (not included). Compatibility with a new or existing facility mechanical key system is maintained. Standard switch assemblies are single gang box mounted. Assemblies equipped with narrow faceplates are mounted directly to the door frame.

- Momentary
- Timed Actuation (1-60 seconds)
- Alternate Action (On-Off)
- Tamper resistant, recessed cylinder (all except 700N)
- Tamper resistant spanner screws
- Heavy duty all steel assembly
- Stainless steel faceplates of 20 gauge or 0.25" thickness of aluminum
- Large actuator for positive and consistent activation
- 6 Amp @ 30 VDC
- 7", 22 gauge wire leads
- Compatible with 1.125" or 1.25" mortise cylinder (not included)



**700**



**700N**

- Spanner security screws and tool
- 20 Gauge stainless steel
- Optional plated finishes

**700** Single gang, wall mounted, anti-tamper recessed key cylinder

**700N** Narrow 1.75" wide, frame mounted



**800**



**800N**

- 0.25" Aluminum faceplate
- Spanner security screws and tool
- Anti-tamper plugs for mounting screws
- Anti-tamper recessed key cylinder

**800** Single gang, wall mounted

**800N** Narrow, 1.75" wide frame mounted

Four mounting screws provide increased integrity



**700T**

- Two Gang
- 4 Security screws
- 20 Gauge stainless steel

Two gang faceplate provides for the use of a larger junction box to accommodate time delays, audible annunciation and increased wiring.

Model		Operation	Applications
701	801AL	Alternate action SPDT	<ul style="list-style-type: none"> <li>• Circuit on - off</li> <li>• Access control bypass</li> <li>• Machine operation</li> </ul>
701N	801ALN	Turning the key left or right actuates and latches the contact. Contact position is maintained until the key is inserted and turned again.	
701T			
702	802AL	Momentary SPDT	<ul style="list-style-type: none"> <li>• Momentary access</li> <li>• Timer activation</li> <li>• Alarm reset</li> </ul>
702N	802ALN	Turning the key left or right momentarily actuates the contact.	
702T			
704	804AL	Momentary SPDT plus 10TD Electronic Mini Timer SPDT 2Amp @ 30VDC, adjustable 1 - 60 seconds Turning the key left or right activates an electronically timed contact for 1 - 60 seconds	<ul style="list-style-type: none"> <li>• Timed access</li> <li>• Timed alarm shunt</li> </ul>
705	805AL	Alternate action DPDT	<ul style="list-style-type: none"> <li>• Control two circuits simultaneously</li> <li>• Access <b>and</b> alarm bypass</li> <li>• Lock <b>and</b> magnetic door holder control</li> </ul>
705N	805ALN	Turning the key left or right actuates and latches the contact. Contact position is maintained until the key is inserted and turned again	
705T			
706	806AL	Momentary DPDT	<ul style="list-style-type: none"> <li>• Control two circuits simultaneously</li> </ul>
706N	806ALN	Turning the key left or right momentarily actuates the contacts	
706T			
707	807AL	#1 Momentary SPDT. Turning the key left momentarily actuates contact #1.	<ul style="list-style-type: none"> <li>• Control two circuits independently</li> </ul>
707N	807ALN	#2 Momentary SPDT. Turning the key right momentarily actuates contact #2	
707T			
708	808AL	#1 Momentary SPDT. Turning the key in one direction momentarily actuates contact #1	<ul style="list-style-type: none"> <li>• Control two circuits independently</li> <li>• Momentary access and sustained bypass of a door</li> </ul>
708N	808ALN	#2 Alternate action SPDT. Turning the key in opposite direction actuates and latches contact #2 until the key is inserted and turned again	
708T			
709	809AL	#1 Alternate action SPDT. Turning the key left actuates and latches contact #1	<ul style="list-style-type: none"> <li>• Control two circuits independently</li> <li>• Bypass with single station #1</li> <li>• Bypass with all stations #2</li> </ul>
709N	809ALN	#2 Alternate Action SPDT. Turning the key right actuates and latches contact #2	
709T			
710T		#1 Momentary SPDT plus 10TD Electronic Mini Timer, SPDT 2Amp, 1-60 second. Turning the key in one direction activates an electronically timed contact for 1 - 60 seconds. #2 Alternate action SPDT. Turning the key in opposite direction actuates and latches contact #2	<ul style="list-style-type: none"> <li>• Control two circuits independently</li> <li>• Timed access and sustained bypass of a door</li> <li>• Timed alarm shunt (REX) and sustained alarm shunt</li> </ul>
711	811AL	#1 Momentary DPDT. Turning the key left momentarily actuates contact #1.	<ul style="list-style-type: none"> <li>• Control two pairs of circuits independently</li> </ul>
711N	811ALN	#2 Momentary DPDT. Turning the key right momentarily actuates contact #2.	
711T			
712	812AL	#1 Momentary DPDT. Turning the key in one direction momentarily actuates contact #1	<ul style="list-style-type: none"> <li>• Control two pairs of circuits independently</li> <li>• Activate a time delay, REX input or alarm shunt with #1</li> <li>• Access control and alarm bypass with #2</li> </ul>
712N	812ALN	#2 Alternate action DPDT. Turning the key opposite direction actuates and latches contact #2 until the key is inserted and turned again.	
712T			
713	813AL	#1 Alternate action DPDT. Turning the key left actuates and latches contact #1.	<ul style="list-style-type: none"> <li>• Control two pairs of circuits independently</li> </ul>
713N	813ALN	#2 alternate action DPDT. Turning the key right actuates and latches contact #2	
713T			

702	U	
-----	---	--

**700 Series Finish**

- 630 Dull stainless steel standard
- 605 Bright brass
- 606 Dull brass
- 613 Oil rubbed bronze
- 625 Bright Chrome

**800 Series Finish**

- AL 628 Anodized aluminum standard

702	U	L2
-----	---	----

- ATS** Anit-Tamper switch
- L1** One LED; specify red or green
- L2** Two LED's; red and green
- LT** One tri-color LED; red green and amber
- RMB** Buzzer. May be wired to sound when door is unlocked. 12 or 24VDC operation with 700T only.
- SN** 85 db. siren, 3-28VDC with 700T only
- 10TD** Mini timer
- CYL-KD** Key cylinder with two keys

- 700** 2.875" x 4.5" x 20 Ga. (73 x 114 x 0.912mm)
- 700N** 1.75" x 4.5" x 20 Ga. (45 x 114 x 0.912mm)
- 700T** 4.5" x 4.5" x 20 Ga. (112 x 114 x 0.912mm)
- 800AL** 3.25" x 5" x .25"D (83 x 127 x 6.35mm)
- 800ALN** 1.75" x 5" x .25"D (45 x 127x 6.35mm)



The electronic Mini Timer provides timed unlocking and is compatible with all IDC momentary key and exit switches equipped with normally open contacts. The Mini Timer fits inside two gang key and exit switch assemblies, remote junction box and narrow frames.

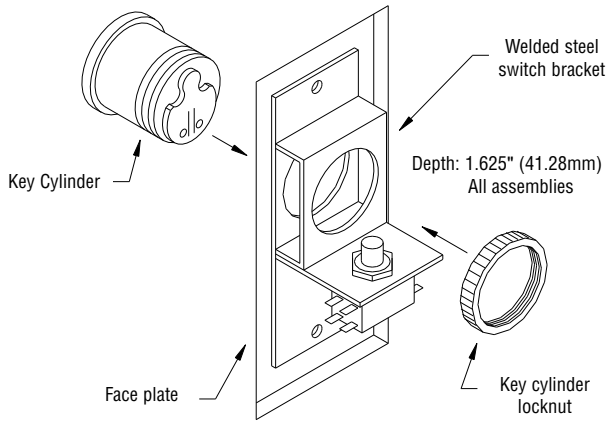
- Voltage Input** 12/24VDC @ 50mA
- Trigger Input** N.O. dry
- Contact** SPDT dry, 2 Amps @ 30VDC
- Wire Leads** 7", 20 gauge
- Time Adjustment** 1 - 60 seconds
- Size** 0.75"W x 1.5"H .25"D (19.05x 38.1 x 57.15mm)



**CYL-KD** 1.25" mortise key cylinder and 2 keys, keyed different, two different tail pieces provided. Dull chrome finish standard.

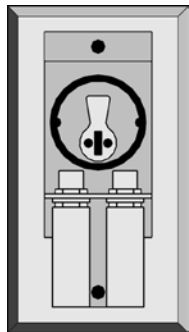
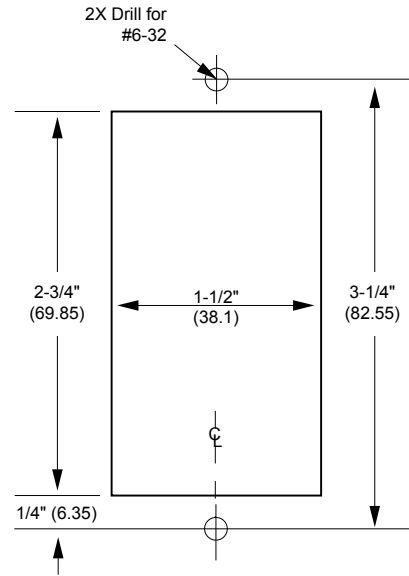
For convenience, a small spanner tool is provided with the assembly for fastening of spanner security screws.

Part # **SS632**, a standard spanner screwdriver, may be ordered separately.

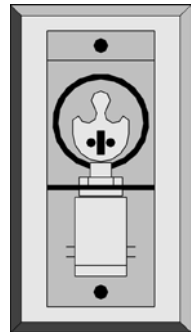


**700N Series prep**

1.75" (44.45mm) minimum frame face

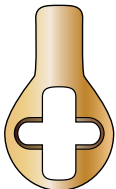


**Dual Switch Assembly**

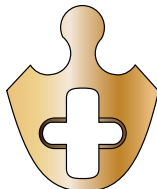


**Single Switch Assembly**

(actual size shown)



Compatible with all dual switch assemblies



Compatible with all single and dual switch assemblies

**800ALN Series prep**

