



PREMIUM PUSH PLATES
6" SQUARE
PBS6 SERIES



A larger solution of the square push plate, this 6" plate is more visible, easier to use, and doesn't distract from the architecture.

- Greater surface area of the push plate makes this push plate easy to use
- Beveled edges provide a tamper and vandal resistant solution
- Universal touch area at any "push" location
- Stainless steel finish is scratch/ scuff resistant and will not deteriorate or rust
- Text and logo are baked onto the surface for maximum durability
- Available in multiple styles to meet specifications and customer requests

MOUNTING FEATURES



The mounting boxes for the 6" square push plates are built with a placeholder for the wireless transmitter's 9 Volt battery.

TECHNICAL SPECS

- A. 16 gauge, 304 2B Stainless Steel Faceplate
- B. 1/8" thick, Aluminum Back Plate
- C. Stainless Steel 6-32 x 1" and 8-32 x 1" Allen head mounting screws
- D. Cherry Switch: Single-pole, 15A, COM / NO / NC contacts

PBS6 SERIES FAMILY OF PRODUCTS



10PBS6 - Text only



10PBS610 - Plain Face



10PBS61 - Text and Logo

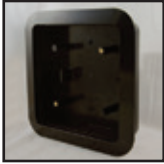


10PBS6LL - Logo only

PBS6 SERIES MOUNTING OPTIONS

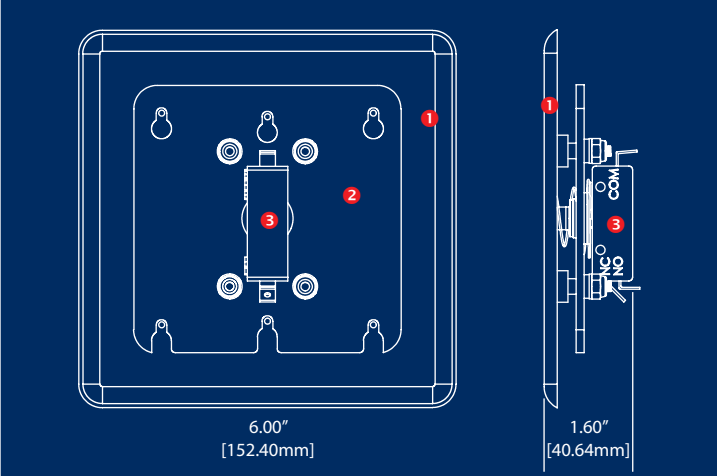


10BOX6SQSM - Surface Mount Box



10BOX6SQFM - Flush Mount Box

COMPONENTS



- ① Front Plate
- ② Back Plate
- ③ Cherry Switch

PBS6 SERIES DETAILS

